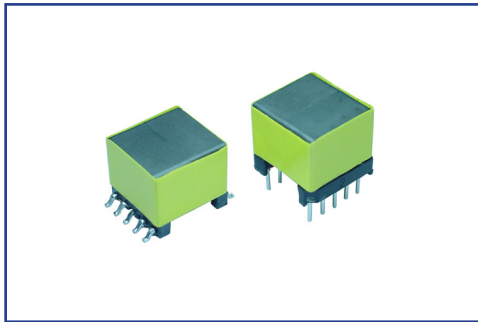


# ISDN/T1/E1 TRANSFORMER



## T12XX SERIES

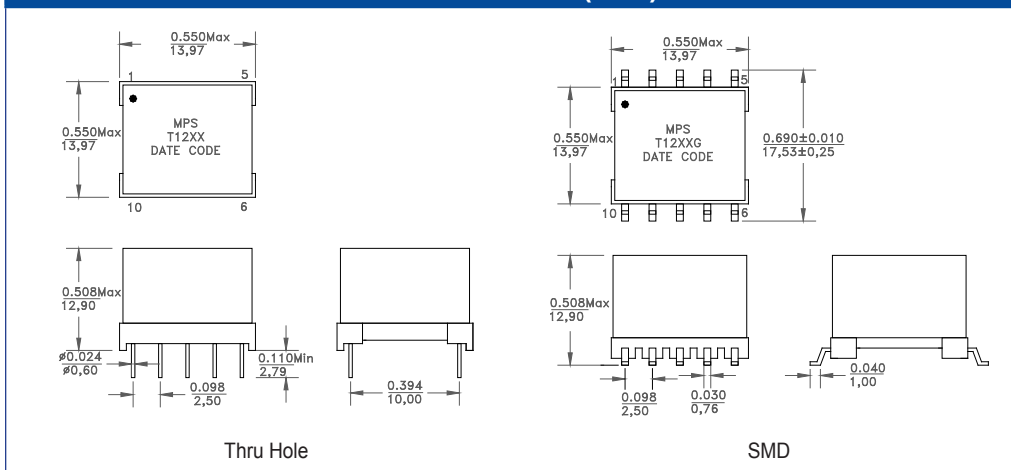


- Meets ITU-T G703 Requirements
- Improvements on ET and Harmonic Distortion over long haul
- RoHS compliant product
- Operating Temperature: -40°C to +85°C
- OCL measured @ 10KHz, 0.1VRMS
- Turns Ratio: 1:1:1:1 ±2% ( 6-9:7-10:5-3:3-1)
- Custom Design Available

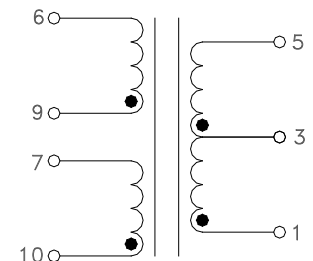
## ELECTRICAL PARAMETERS @25°C

Part Number	Turns Ratio (Pri:Sec ±2%)	Primary Pins	OCL Pri (mH)	Transmit Rate (Kbps)	ET Constant (V <sub>μ</sub> Sec MIN)	Isolation (V <sub>RMS</sub> MIN)	Package
T1201	1:1:1:1	(6-9) + (7-10)	9.0±10%	64-2048	25	1500	Thru Hole
T1201G	1:1:1:1	(6-9) + (7-10)	9.0±10%	64-2048	25	1500	SMD
T1202	1:1:1:1	6-9/7-10	11 min	64-256	20	1500	Thru Hole
T1202G	1:1:1:1	6-9/7-10	11 min	64-256	20	1500	SMD
T1203	1:1:1:1	6-9/7-10	1.15±15%	512-2048	60	1500	Thru Hole
T1203G	1:1:1:1	6-9/7-10	1.15±15%	512-2048	60	1500	SMD

## DIMENSIONS (mm)



## SCHEMATIC



Product performance is limited to specified parameters. Data is subject to change without prior notice.

Tel: 310-325-1043  
Fax: 310-325-1044

**Dimensions**  
Unless otherwise specified, all tolerances are:  
inch: .XX : ±0.015 .XXX : ±0.004  
mm: X.X : ±0.38 X.XX : ±0.10

www.mpsind.com  
sales@mpsind.com