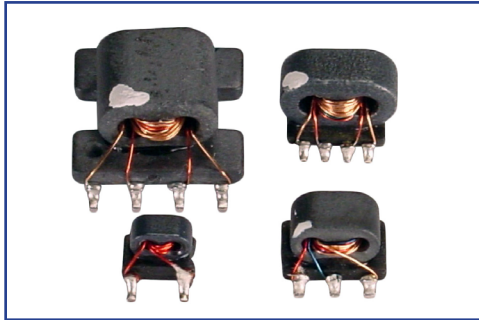


SMT MINI WIDEBAND TRANSFORMERS



R3838 SERIES

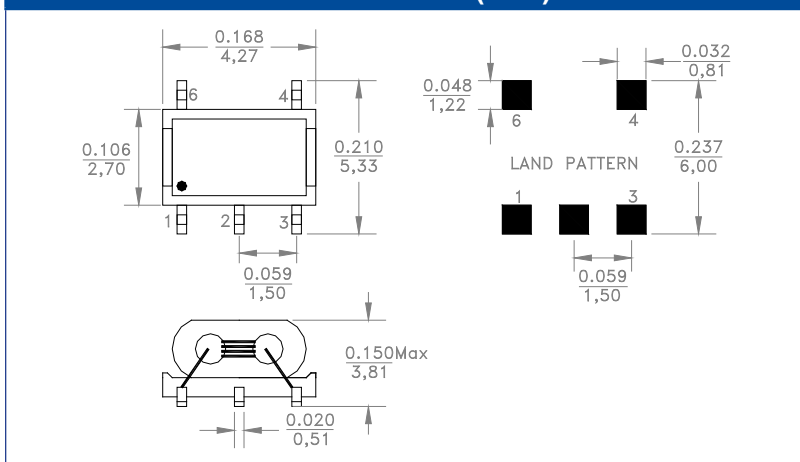


- Ideal for wideband and RF instrumentation applications
- Can be used for Impedance Matching, Signal Isolation and Balance to Unbalanced conversion
- 3.8mm square, 5.0mm high
- Operating Temperature: -40°C to +85°C
- RoHS Compliant Product
- Custom Design Available

ELECTRICAL PARAMETERS @ 25°C

Part Number	Impedance Ratio (Sec/Pri ±10%)	Bandwidth Typ (MHz)	Insertion Loss (dB Typ)	Primary OCL (μH MIN) 4-6	Pri DCR (Ω MAX) 4-6	Sec OCL (μH MIN) 1-3	Sec DCR (Ω MAX) 1-3	Schematic
R3838-1-1L	1:1	4-600	0.40	10.0	0.120	10.0	0.120	A
1-1TL	1:1	3.5-750	0.58	11.0	0.075	11.0	0.075	B
2-1TL	1:2	4-500	0.50	10.0	0.120	20.0	0.150	B
3-1TL	1:3	4-900	0.60	9.0	0.100	27.0	0.150	B
4-1TL	1:4	3.2-750	1.00	12.0	0.055	48.0	0.120	B
4-14TL	1:4	16-1200	2.00	2.0	0.050	8.0	0.100	B
4-1WL	1:4	6.5-1000	0.90	5.0	0.060	20.0	0.120	B
4-6TL	1:4	4.5-700	0.30	9.0	0.120	36.0	0.200	B
8-1L	1:8	1.5-600	0.60	22.0	0.080	176.0	0.310	B
9-1L	1:9	4.5-500	0.54	9.0	0.060	81.0	0.230	B

DIMENSIONS (mm)



SCHEMATICS

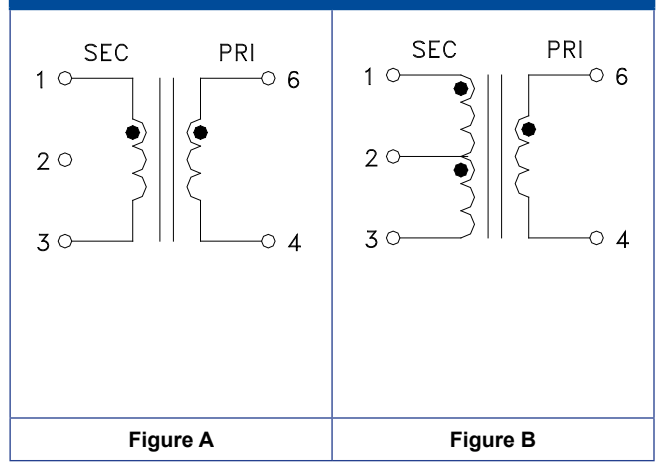


Figure A

Figure B

Dimensions
Unless otherwise specified, all tolerances are:
inch: XX : ±0.015 .XXX : ±0.004
mm: X.X : ±0.38 X.XX : ±0.10

Product performance is limited to specified parameters. Data is subject to change without prior notice.

Tel: 310-325-1043
Fax: 310-325-1044

www.mpsind.com
sales@mpsind.com