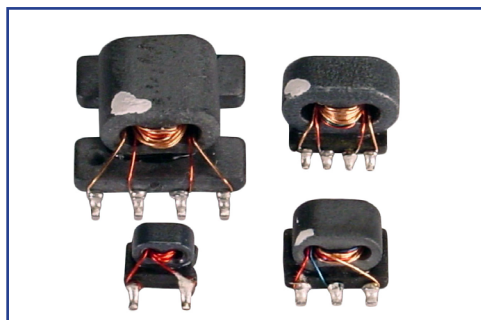


BALUN TRANSFORMERS



R3647 SERIES



- Ideal for CATV, SET Top Box, Cable Modem and Multimedia over Coax Alliance applications
- Types include Double Balance Mixer, Frequency Mixer, Transmission Line and Directional Coupler
- Operating Temperature: -40°C to +85°C
- RoHS Compliant Product
- Custom Design Available

ELECTRICAL PARAMETERS @ 25°C

Part Number	Turns	Frequency Response Rate (MHz)	Insertion Loss (dB MAX)	Schematic
R3647-				
Double Balanced Mixer (50Ω:200Ω) (6-4:1-3)				
3A	3	15-1000	3	A
4A	4	10-800	3	A
5A	5	6-600	3	A
6A	6	1-400	3	A
Frequency Mixer (50Ω:200Ω) (6-4:1-2-3)				
2B	2:4CT	10-300	3	B
3B	3:6CT	6-480	3	B
4B	4:8CT	3-400	3	B
5B	5:10CT	0.5-300	3	B
Transmission Line				
2C	2½	15-2400	3	C
3C	3½	10-1800	3	C
4C	4½	7.5-1500	3	C
5C	5½	1.0-1400	3	C
Splitter/Directional Coupler				
3D	3	45-1500	in-out1, 2dB in-out2, 10dB	D
4D	4	8-1200	in-out1, 1.5dB in-out2, 14dB	D
5D	5	5-1100	in-out1, 1.2dB in-out2, 16dB	D
10D	10	1-1000	in-out1, 1.5dB in-out2, 19dB	D

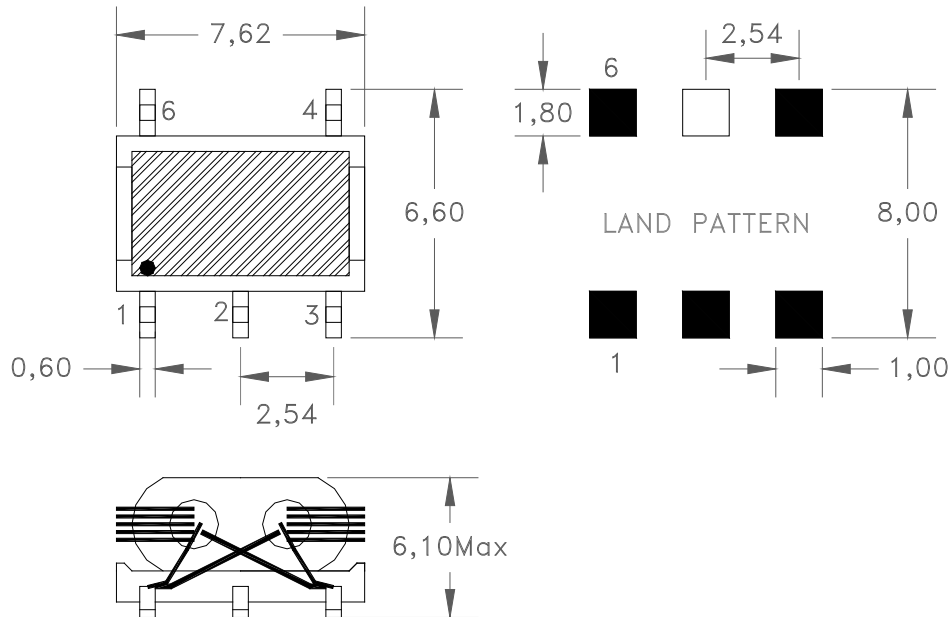
Product performance is limited to specified parameters. Data is subject to change without prior notice.

Tel: 310-325-1043
Fax: 310-325-1044

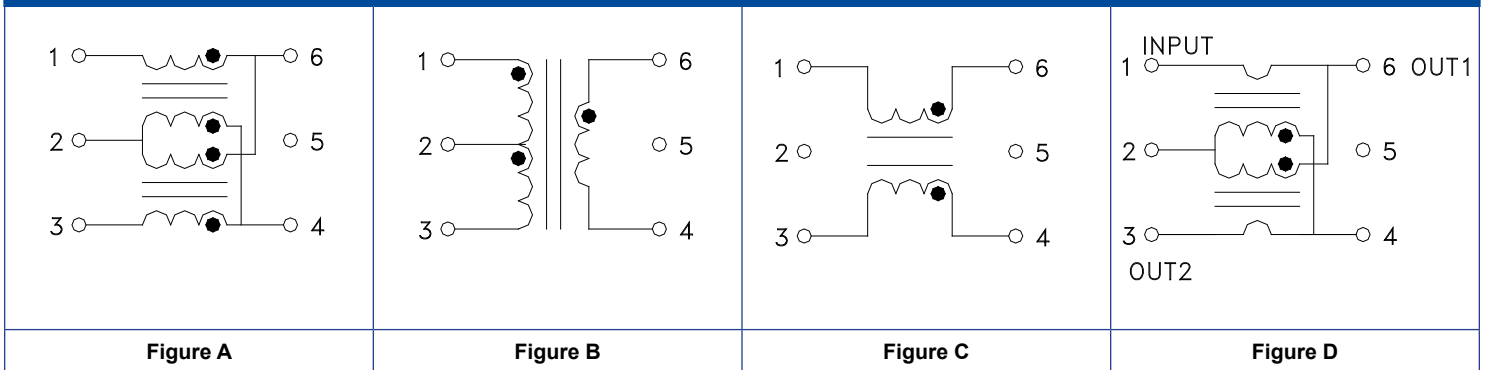
www.mpsind.com
sales@mpsind.com

R3647 SERIES

DIMENSIONS (mm)



SCHEMATICS



Product performance is limited to specified parameters. Data is subject to change without prior notice.

Tel: 310-325-1043
Fax: 310-325-1044

Dimensions
Unless otherwise specified, all tolerances are:
inch: .XX : ±0,015 .XXX : ±0,004
mm: X,X : ±0,38 X,XX : ±0,10

www.mpsind.com
sales@mpsind.com