

# MAGNETIC EPOXY SHIELDED SMT POWER INDUCTOR



## PSF109 SERIES



- Magnetic shielding using magnetic epoxy resin results in lower costs as compared to traditional ferrite shielded inductors
- Size: 10.5mm length x 10.3mm width x 10.0mm height
- Operating Temperature -40°C to +120°C
- RoHS Compliant Product
- Custom Design Available

### ELECTRICAL PARAMETERS @ 25°C

Part Number	INDUCTANCE ( $\mu$ H) $\pm 20\%$	Isat (A <sub>dc</sub> ) MAX	DCR ( $\Omega$ ) MAX
PSF109-			
101M	100	1.54	0.19
121M	120	1.14	0.20
151M	150	1.02	0.22
181M	180	0.94	0.25
221M	220	0.86	0.27
271M	270	0.78	0.39
331M	330	0.72	0.49
391M	390	0.66	0.54
471M	470	0.58	0.68
561M	560	0.52	0.86
681M	680	0.47	1.00
821M	820	0.45	1.10
102M	1000	0.40	1.43
122M	1200	0.37	1.60
152M	1500	0.34	2.10
182M	1800	0.30	2.30
222M	2200	0.20	2.40

**Note:**

1. Inductance measured at 100KHz, 1Vrms
2. Isat:  $\Delta$ L drops 30% max from its initial value

Product performance is limited to specified parameters. Data is subject to change without prior notice.

Tel: 310-325-1043  
Fax: 310-325-1044

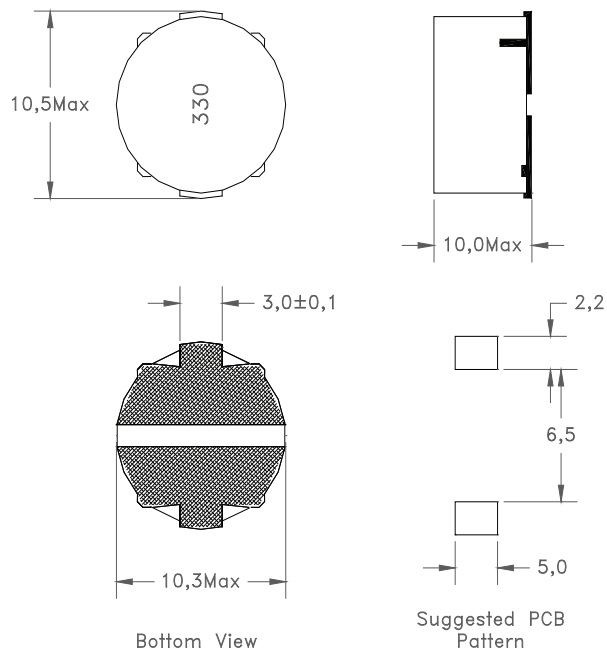
www.mpsind.com  
sales@mpsind.com

# MAGNETIC EPOXY COATED SMT POWER INDUCTOR



PSF109 SERIES

## DIMENSIONS (mm)



Product performance is limited to specified parameters. Data is subject to change without prior notice.

**Dimensions**  
Unless otherwise specified, all tolerances are:  
inch: .XX : ±0.015 .XXX : ±0.004  
mm: X.X : ±0,38 X,XX : ±0,10

Tel: 310-325-1043  
Fax: 310-325-1044

www.mpsind.com  
sales@mpsind.com