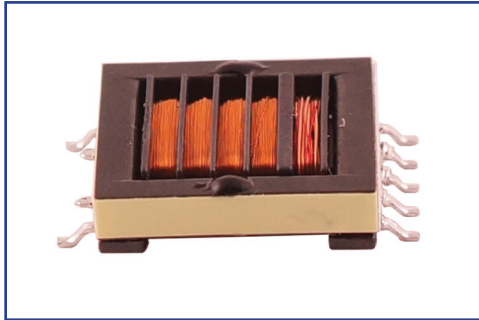


# 4 WATT SMD CCFL TRANSFORMER



## P9124



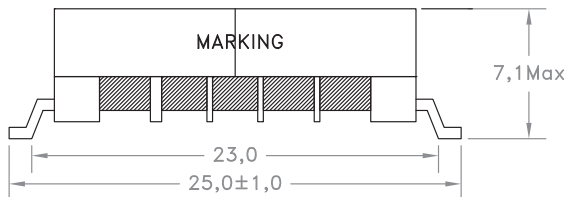
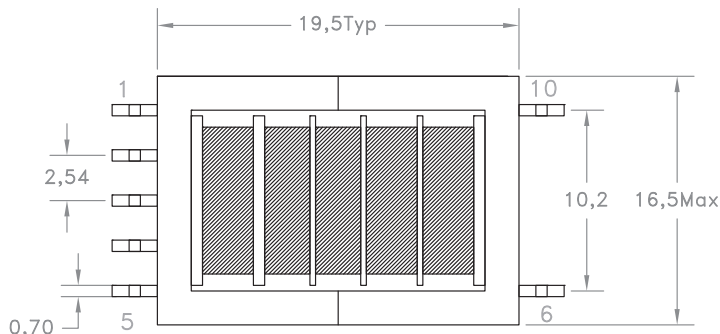
- For use in: LCD backlight applications, TFT matrixes, aquarium lighting, medical instrumentation, test equipment & more
- Rated power output: 4 Watts
- Low profile, surface mount package
- Operating Temperature -40°C to +85°C
- RoHS Compliant Product
- Custom Design Available

### ELECTRICAL PARAMETERS @ 25°C

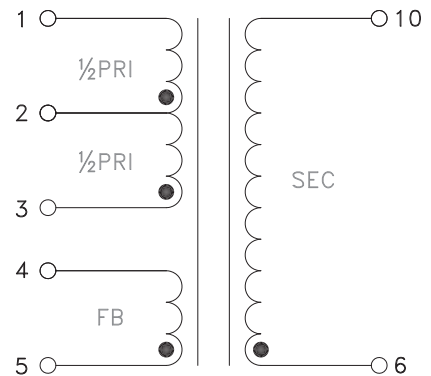
Part Number	Pri OCL ±20% (µH)	DCR Max (Ω)	Vpri Max (Volt)	Vsec Max (Volt)	Turns Ratio		Isec (7-10) Max (mA)	Sec (6-10) DCR Max (Ω)
					Sec/Pri (±5%)	Pri/Fb (±5%)		
P9124-1	44	0.22	26	1340	50	6.0	7	165
P9124-2	27	0.16	15	1340	86	4.7	7	220
P9124-3	20	0.16	13	1340	100	4.0	7	220
P9124-4	20	0.16	10	1340	125	4.0	7	330

- Note:**
1. Operating Freq: 40KHz - 100KHz
  2. OCL (1-3): Measured at 100KHz, 0.1Vrms
  3. Hipot (Pri and Fb to Sec): 1500Vrms, 5sec, 1mA

### DIMENSIONS



### SCHEMATIC



Revised 01/29/2018  
Product performance is limited to specified parameters. Data is subject to change without prior notice.

**Dimensions**  
Unless otherwise specified, all tolerances are:  
inch: XX : ±0.010 .XXX : ±0.005  
mm: X,X : ±0,254 X,XX : ±0,13

Tel: 310-325-1043  
Fax: 310-325-1044

www.mpsind.com  
sales@mpsind.com