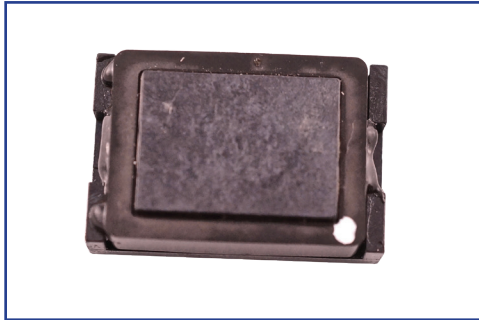


6 WATT CCFL TRANSFORMER



P9122



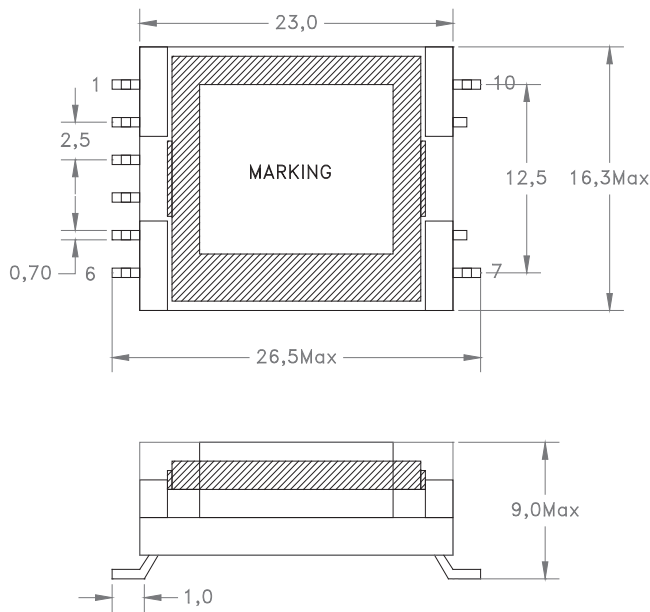
- For use in: LCD backlight applications, TFT matrixes, aquarium lighting, medical instrumentation, test equipment & more
- Rated power output: 6 Watts
- Low profile package available in Thru-Hole and Surface Mount
- Operating Temperature 0°C to +70°C
- RoHS Compliant Product
- Custom Design Available

ELECTRICAL PARAMETERS @ 25°C

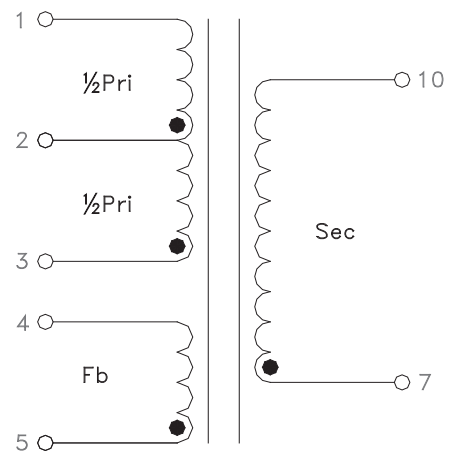
Part Number	Pri OCL Nom (μ H)	DCR Max (Ω)	Vpri Max (Volt)	Vsec Max (Volt)	Turns Ratio		Isec (7-10) Max (mA)	Sec (7-10) DCR Max (Ω)
					Sec/Pri (\pm 5%)	Pri/Fb (\pm 5%)		
P9122-1	44	0.22	22	1340	67	4.00	7	285
P9122-2	44	0.22	20	1340	86	4.67	7	285
P9122-3	22	0.16	16	1340	100	4.00	7	285
P9122-4	20	0.16	12	1340	125	4.00	7	430
P9122-5	20	0.16	10	1340	150	4.00	7	430

- Note:**
1. Operating Freq: 40KHz - 80KHz
 2. OCL (1-3): Measured at 100KHz, 0.1Vrms
 3. Hipot (Pri and Fb to Sec): 1500Vrms, 5sec, 1mA

DIMENSIONS



SCHEMATIC



Revised 01/29/2018
Product performance is limited to specified parameters. Data is subject to change without prior notice.

Dimensions
Unless otherwise specified, all tolerances are:
inch: XX : \pm 0.050 .XXX : \pm 0.005
mm: X,X : \pm 0.38 X,XX : \pm 0.13

Tel: 310-325-1043
Fax: 310-325-1044

www.mpsind.com
sales@mpsind.com