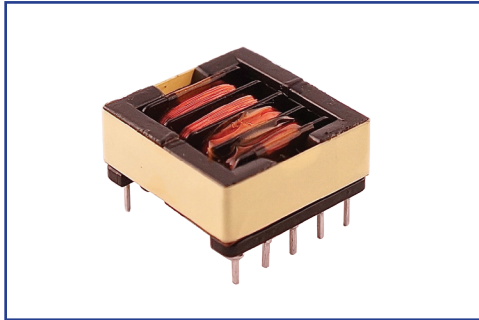


14 WATT CCFL TRANSFORMER



P9121



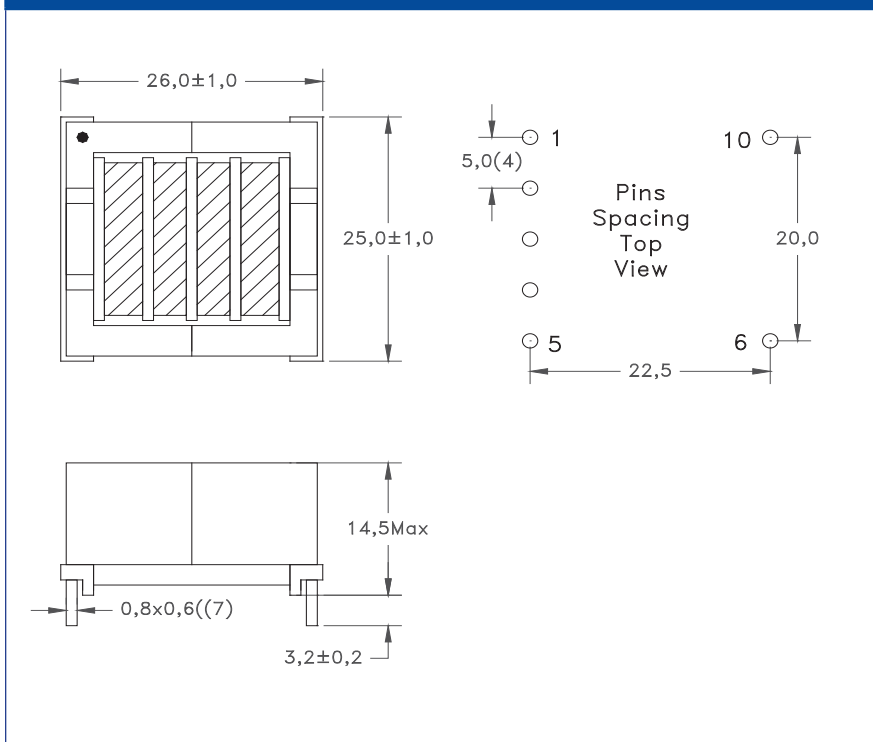
- For use in: LCD backlight applications, TFT matrixes, aquarium lighting, medical instrumentation, test equipment & more
- Rated power output: 14 Watts
- Low profile package available in Thru-Hole and Surface Mount
- Operating Temperature 0°C to +70°C
- RoHS Compliant Product
- Custom Design Available

ELECTRICAL PARAMETERS @ 25°C

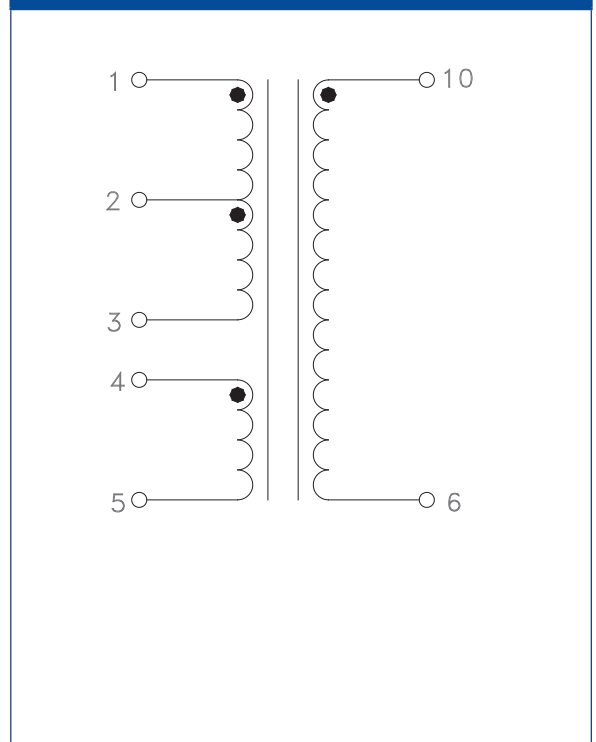
Part Number	Pri OCL Nom (μH)	DCR Max (Ω)	Vpri Max (Volt)	Vsec Max (Volt)	Turns Ratio		Isec (10-6) Max (mA)	Sec (10-6) DCR Max (Ω)
					Sec/Pri ($\pm 5\%$)	Pri/Fb ($\pm 5\%$)		
P9121-1	24	0.030	20	1340	67	5	30	262
P9121-2	16	0.024	15	1340	86	4	30	272
P9121-3	16	0.024	13	1340	100	4	30	314

- Note:**
1. Operating Freq: 40KHz - 80KHz
 2. OCL (1-3): Measured at 100KHz, 0.1Vrms
 3. Hipot (Pri and Fb to Sec): 1500Vrms, 5sec, 1mA

DIMENSIONS



SCHEMATIC



Dimensions
 Unless otherwise specified, all tolerances are:
 inch: XX : ± 0.010 .XXX : ± 0.005
 mm: X.X : ± 0.254 X.XX : ± 0.13

Revised 01/29/2018
 Product performance is limited to specified parameters. Data is subject to change without prior notice.

Tel: 310-325-1043
 Fax: 310-325-1044

www.mpsind.com
 sales@mpsind.com