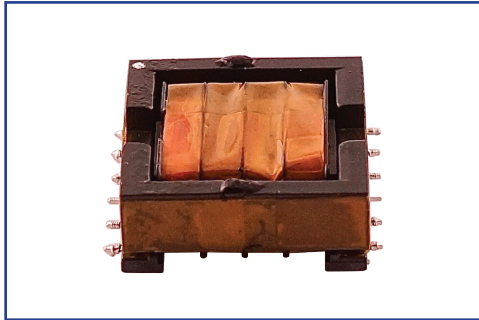


# 2.5 WATT CCFL TRANSFORMER



## P9120



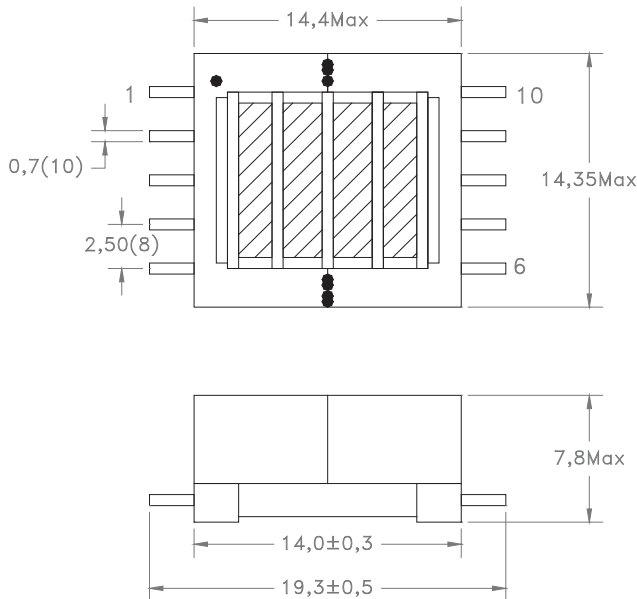
- For use in: LCD backlight applications, TFT matrixes, aquarium lighting, medical instrumentation, test equipment & more
- Rated power output: 2.5 Watts
- Flat, SMD terminals designed to sit in PCB cut-out for ultra-low-profile package
- Operating Temperature 0°C to +70°C
- RoHS Compliant Product
- Custom Design Available

### ELECTRICAL PARAMETERS @ 25°C

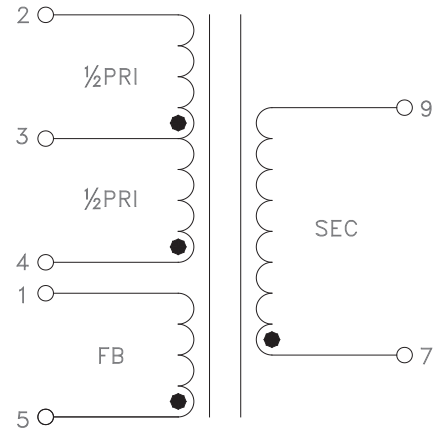
Part Number	Pri OCL Nom ( $\mu$ H)	DCR Max ( $\Omega$ )	Vpri Max (Volt)	Vsec Max (Volt)	Turns Ratio		Isec (7-9) Max (mA)	Sec (7-9) DCR Max ( $\Omega$ )
					Sec/Pri ( $\pm$ 5%)	Pri/Fb ( $\pm$ 5%)		
P9120-1	43	0.220	20	1340	67	6	5	285
P9120-2	26	0.212	15	1340	86	2	5	285
P9120-3	19	0.190	13	1340	100	4	5	285

- Note:**
1. Operating Freq: 40KHz - 80KHz
  2. OCL (2-4): Measured at 100KHz, 0.1Vrms
  3. Hipot (Pri and Fb to Sec): 1500Vrms, 5sec, 1mA

### DIMENSIONS



### SCHEMATIC



Revised 01/29/2018  
Product performance is limited to specified parameters. Data is subject to change without prior notice.

**Dimensions**  
Unless otherwise specified, all tolerances are:  
inch: .XX :  $\pm$ 0.010 .XXX :  $\pm$ 0.005  
mm: X.X :  $\pm$ 0,254 X,XX :  $\pm$ 0,13

Tel: 310-325-1043  
Fax: 310-325-1044

www.mpsind.com  
sales@mpsind.com