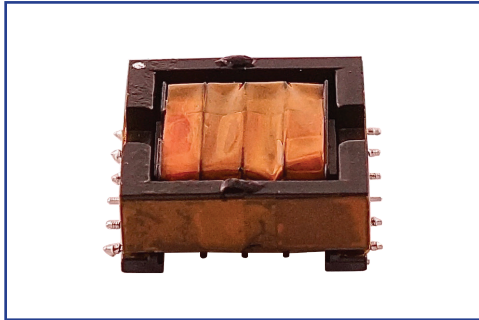


# 2.5 WATT SMD CCFL TRANSFORMER



P9119



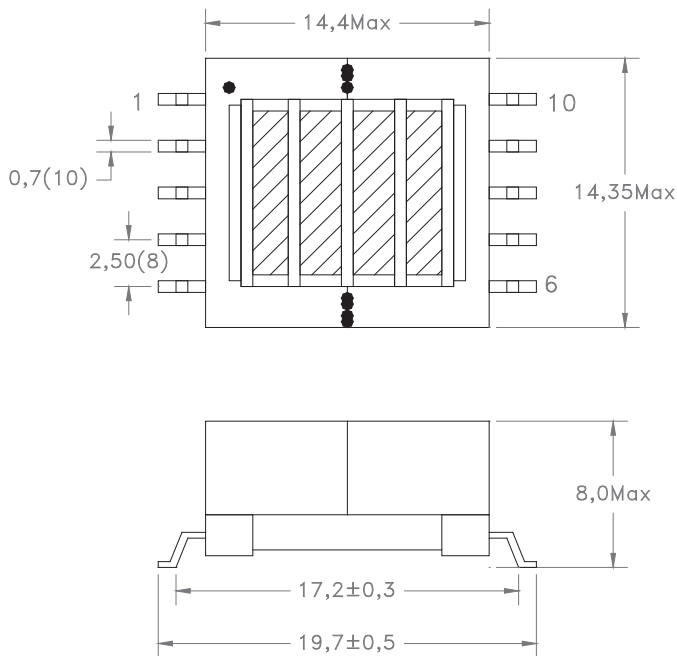
- For use in: LCD backlight applications, TFT matrixes, aquarium lighting, medical instrumentation, test equipment & more
- Rated power output: 2.5 Watts
- Low profile, surface mount package
- Operating Temperature 0°C to +70°C
- RoHS Compliant Product
- Custom Design Available

## ELECTRICAL PARAMETERS @ 25°C

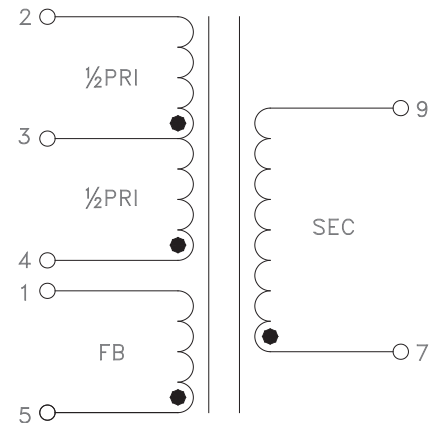
Part Number	Pri OCL Nom ( $\mu\text{H}$ )	DCR Max ( $\Omega$ )	Vpri Max (Volt)	Vsec Max (Volt)	Turns Ratio		Isec (7-9) Max (mA)	Sec (7-9) DCR Max ( $\Omega$ )
					Sec/Pri ( $\pm 5\%$ )	Pri/Fb ( $\pm 5\%$ )		
P9119-1	43	0.220	20	1340	67	6	5	285
P9119-2	26	0.212	15	1340	86	2	5	285
P9119-3	19	0.190	13	1340	100	4	5	285

- Note:**
1. Operating Freq: 40KHz - 80KHz
  2. OCL (2-4): Measured at 100KHz, 0.1Vrms
  3. Hipot (Pri and Fb to Sec): 1500Vrms, 5sec, 1mA

## DIMENSIONS



## SCHEMATIC



Revised 01/29/2018  
Product performance is limited to specified parameters. Data is subject to change without prior notice.

**Dimensions**  
Unless otherwise specified, all tolerances are:  
inch: XX :  $\pm 0.010$  .XXX :  $\pm 0.005$   
mm: X,X :  $\pm 0.254$  X,XX :  $\pm 0.13$

Tel: 310-325-1043  
Fax: 310-325-1044

www.mpsind.com  
sales@mpsind.com