

TOROIDAL POWER TRANSFORMER



P8TC SERIES

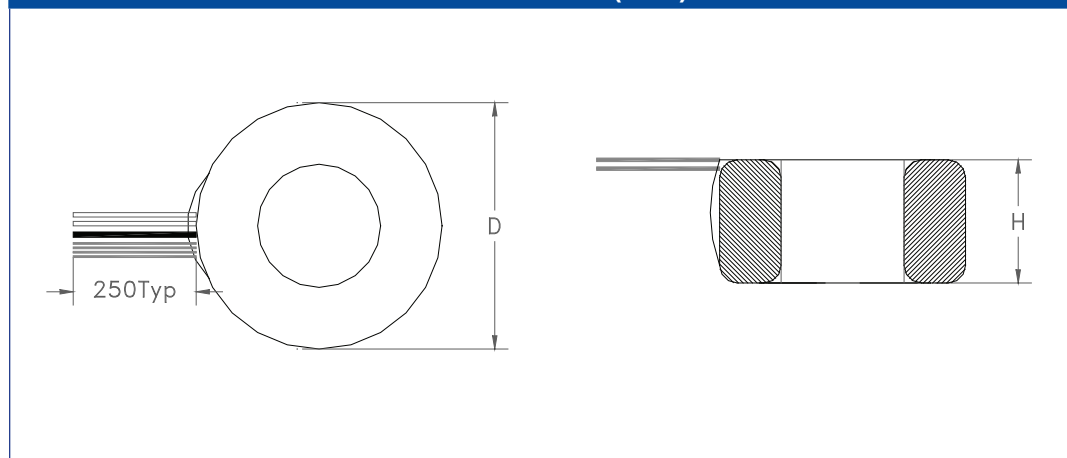


- High efficiency, low noise emission, quiet operation, small size
- Part No -XXX assigned by MPS based on custom configuration
- Standard operating temperature 0°C to +70°C (extended operating temperature available upon request)
- RoHS Compliant Product
- Custom Design Available

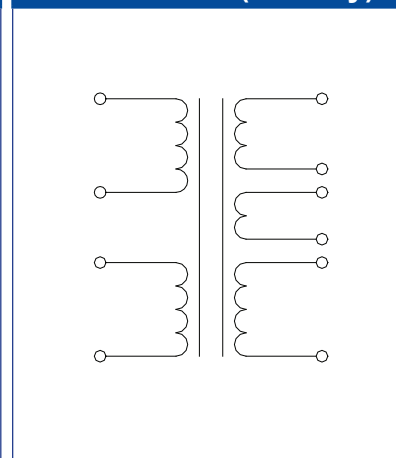
ELECTRICAL PARAMETERS @ 25°C

Part Number P8TC-	Voltage Regulation (%)	Efficiency Typ (%)	Dimension DxH (mm)	Weight Typ (Kg)	Power Rated (VA)
30-XXX	15.0	81	70x38	0.45	30
50-XXX	12.1	84	84x34	0.83	50
60-XXX	10.2	84	87x40	0.95	60
80-XXX	8.1	88	95x40	1.17	80
100-XXX	7.8	89	100x47	1.56	100
120-XXX	7.5	90	103x55	1.85	120
150-XXX	7.5	89	105x55	2.00	150
180-XXX	7.5	89	105x60	2.20	180
200-XXX	7.3	91	100x80	2.61	200

DIMENSIONS (mm)



SCHEMATIC (ref only)



Dimensions
 Unless otherwise specified, all tolerances are:
 inch: .XX : ±0.015 .XXX : ±0.004
 mm: X.X : ±0.38 X.XX : ±0.10

Product performance is limited to specified parameters. Data is subject to change without prior notice.

Tel: 310-325-1043
 Fax: 310-325-1044

www.mpsind.com
 sales@mpsind.com