

# TOROIDAL POWER TRANSFORMER



## P8TB SERIES

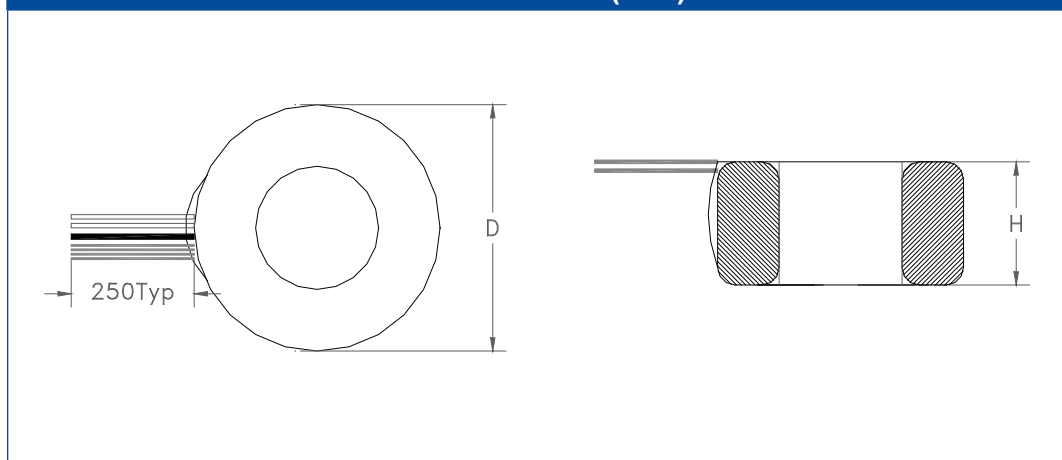


- High efficiency, low noise emission, quiet operation, small size
- Part No -XXX assigned by MPS based on custom configuration
- Standard operating temperature 0°C to +70°C (extended operating temperature available upon request)
- RoHS Compliant Product
- Custom Design Available

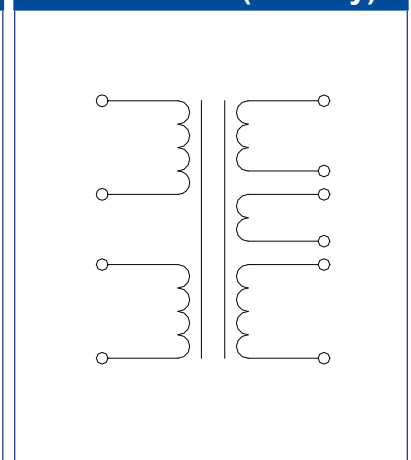
### ELECTRICAL PARAMETERS @ 25°C

Part Number P8TB-	Voltage Regulation (%)	Efficiency Typ (%)	Dimension DxH (mm)	Weight Typ (Kg)	Power Rated (VA)
500-XXX	6.5	92	132x61	3.54	500
600-XXX	6.3	92	128x68	4.12	600
700-XXX	6.1	92	130x70	4.70	700
800-XXX	5.8	93	140x75	5.60	800
1K-XXX	5.6	93	150x89	7.40	1000
1K2-XXX	5.5	93	156x95	5.60	1200
1K5-XXX	5.2	94	170x75	8.30	1500
1K8-XXX	5.0	94	186x79	8.80	1800
2K-XXX	4.8	94	196x80	10.10	2000
2K5-XXX	4.6	94	1296x83	11.20	2500
3K-XXX	4.5	94	182x120	11.40	3000
4K-XXX	4.2	94	185x125	13.75	4000
5K-XXX	3.8	95	200x130	15.10	5000

### DIMENSIONS (mm)



### SCHEMATIC (ref only)



#### Dimensions

Unless otherwise specified, all tolerances are:  
 inch: XX : ±0.015    .XXX : ±0.004  
 mm: X,X : ±0.38    X,XX : ±0.10

Product performance is limited to specified parameters. Data is subject to change without prior notice.

Tel: 310-325-1043  
 Fax: 310-325-1044

www.mpsind.com  
 sales@mpsind.com