

TOROIDAL POWER TRANSFORMER



P8TA SERIES

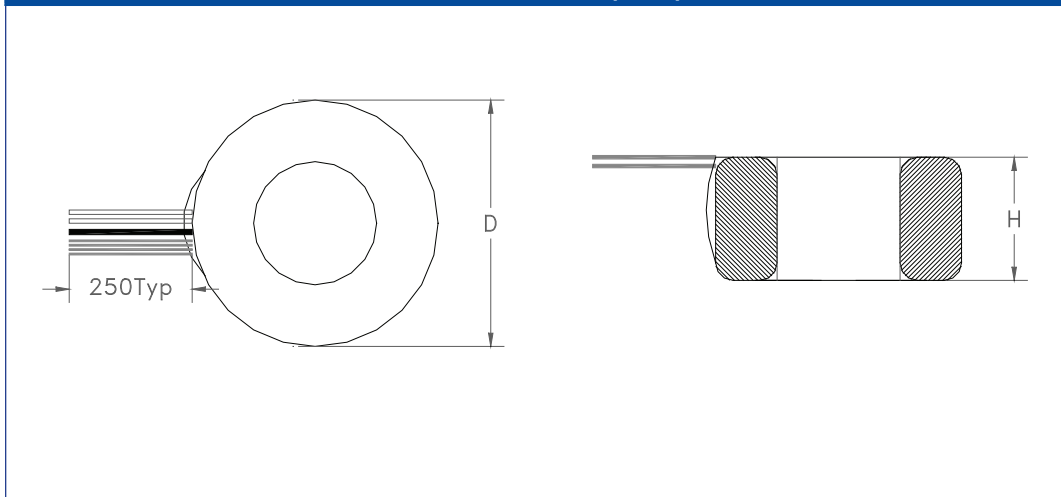


- High efficiency, low noise emission, quiet operation, small size
- Part No -XXX assigned by MPS based on custom configuration
- Standard operating temperature 0°C to +70°C (extended operating temperature available upon request)
- RoHS Compliant Product
- Custom Design Available

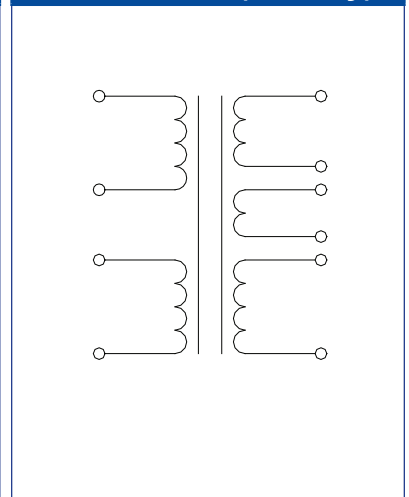
ELECTRICAL PARAMETERS @ 25°C

Part Number P8TA-	Voltage Regulation (%)	Efficiency Typ (%)	Dimension DxH (mm)	Weight Typ (Kg)	Power Rated (VA)
50-XXX	12.0	84	80x35	0.87	50
60-XXX	10.0	86	82x40	1.20	60
80-XXX	8.5	88	93x42	1.48	80
100-XXX	7.8	89	100x47	1.68	100
150-XXX	7.0	91	108x52	2.24	150
180-XXX	6.5	92	113x55	2.80	180
200-XXX	6.2	92	117x65	2.97	200
250-XXX	6.0	92	118x65	3.33	250
300-XXX	5.8	93	118x70	3.55	300
350-XXX	5.5	93	110x92	4.20	350
400-XXX	5.2	94	125x76	4.67	400
450-XXX	4.8	94	131x80	4.92	450

DIMENSIONS (mm)



SCHEMATIC (ref only)



Dimensions
 Unless otherwise specified, all tolerances are:
 inch: XX : ±0.015 .XXX : ±0.004
 mm: X,X : ±0.38 X,XX : ±0.10

Product performance is limited to specified parameters. Data is subject to change without prior notice.

Tel: 310-325-1043
 Fax: 310-325-1044

www.mpsind.com
 sales@mpsind.com