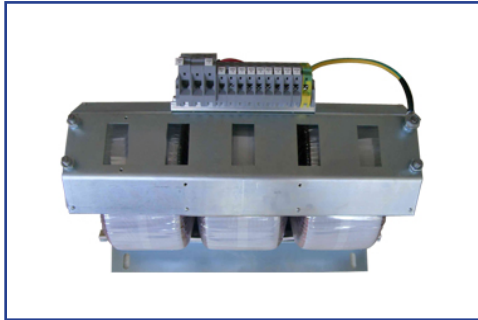


# THREE-PHASE TOROIDAL TRANSFORMER



## P83P SERIES



- Power Range: 1KVA - 30KVA
- Custom Input/Output Values
- Insulation Class: UL Class B, F, H, N
- Isolation: 4KV (hi-pot)
- Custom Design Available

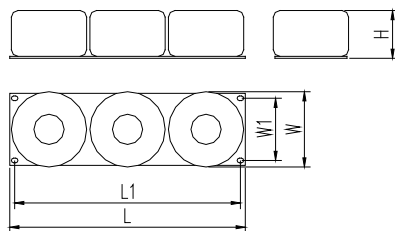
## ELECTRICAL PARAMETERS @ 25°C

Part Number P83P-	Power (VA)	Temperature Rise	L (mm)	L1 (mm)	W (mm)	W1 (mm)	H (mm)	Mounting Hole (mm)	Weight (kg)	Style
1K-XX	1,000	54	115	345	115	95	75	Ø 7*10	9.5	A
3K-XX	3,000	58	150	465	150	130	95	Ø 7*10	21.5	A
6K-XX	6,000	62	210	405	210	180	270	Ø 9*15	40	B
9K-XX	9,000	64	210	405	210	180	285	Ø 9*15	54	B
15K-XX	15,000	65	231	425	231	196	300	Ø 10.6*30	80	B
25K-XX	25,000	66	241	445	241	206	320	Ø 10.6*30	100	B
30K-XX	30,000	68	265	475	265	230	360	Ø 10.6*30	120	B

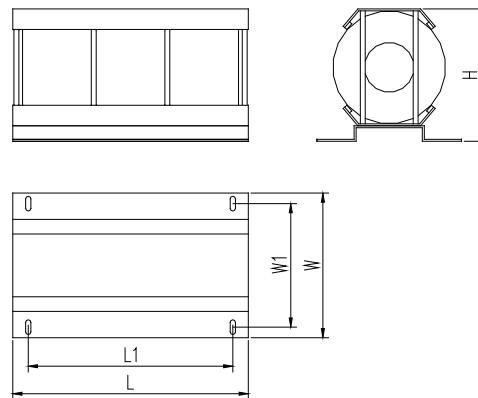
Note:

- -XX= output voltage subject to customer's requirement

## DIMENSIONS (mm)



Style A



Style B

### Dimensions

Unless otherwise specified, all tolerances are:

inch: .XX : ±0.015 .XXX : ±0.004

mm: X.X : ±0.38 X.XX : ±0.10

Product performance is limited to specified parameters. Data is subject to change without prior notice.

Tel: 310-325-1043  
Fax: 310-325-1044

www.mpsind.com  
sales@mpsind.com