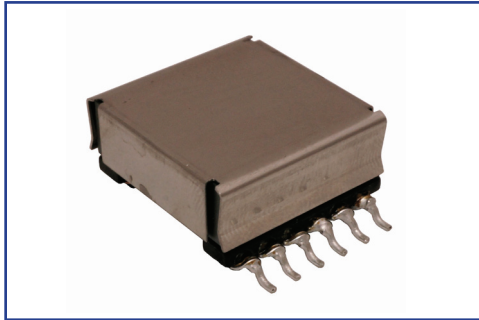


FLYBACK TRANSFORMERS



P620F SERIES



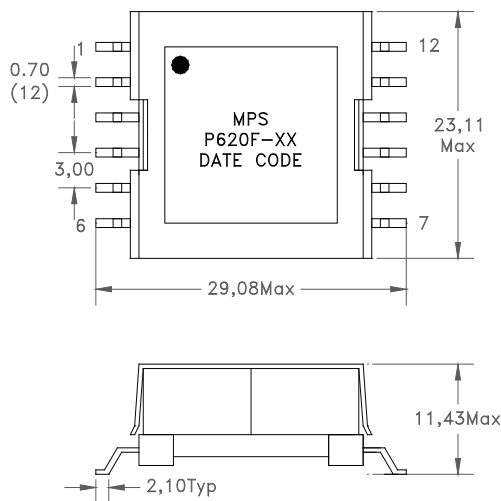
- Flyback transformers for 30 Watt PoE applications
- Operating Frequency 250KHz with input voltage 36 to 72 Volts
- Isolation 1500Vrms, 60 seconds (Pri, Aux to Sec)
- Operating Temperature -40°C to +125°C
- RoHS Compliant Product
- Custom Design Available

ELECTRICAL PARAMETERS @ 25°C

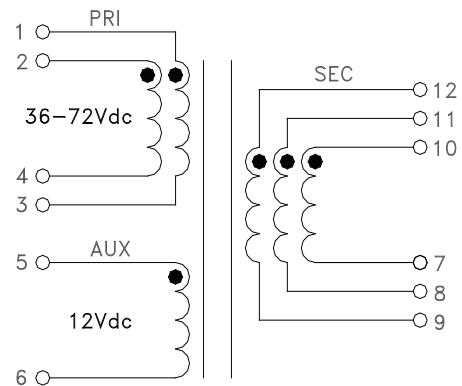
Part Number	Power (W)	Pri OCL (μH) ±10%	DCR (mΩ MAX)			Pri L _L (μH MAX)	Turns Ratio ±5%		Output Sec V / A
			Pri	Sec	Aux		Pri:Sec	Pri:Aux	
P620F-33	30	42	0.070	0.0023	0.22	3.00	1 : 0.09	1 : 0.33	3.3 / 9
P620F-50	30	42	0.069	0.0050	0.225	1.60	1 : 0.14	1 : 0.33	5.0 / 6
P620F-12	30	42	0.061	0.0150	0.195	0.55	1 : 0.33	1 : 0.33	12 / 2.5
P620F-19	30	42	0.060	0.0370	0.195	0.43	1 : 0.56	1 : 0.33	19.5 / 1.5
P620F-24	30	42	0.060	0.0550	0.195	0.31	1 : 0.67	1 : 0.33	24 / 1.25

- Note:**
1. Primary OCL measured @ 250KHz 0.7Vrms
 2. Primary Leakage L measured @ 250KHz 0.7Vrms with 7-8-9-10-11-12 shorted
 3. DCR measured with windings in parallel
 4. Hi-pot: 1500Vrms, 1mA, 60s (Pri, Aux to Sec); 1800Vrms, 1mA, 5s (Pri, Aux, and Core to Sec); 500Vrms, 1mA, 5s (between Pri, Aux, and Core)
 5. Polarity: 1, 2, 5, 10, 11, and 12 are in phase
 6. I_{pk}: 2.6Adc, ΔL < 10% from initial value

DIMENSIONS



SCHEMATIC



Dimensions
 Unless otherwise specified, all tolerances are:
 inch: XX : ±0.010 .XXX : ±0.005
 mm: X,X : ±0.254 X,XX : ±0.13

Product performance is limited to specified parameters. Data is subject to change without prior notice.

Tel: 310-325-1043
 Fax: 310-325-1044

www.mpsind.com
 sales@mpsind.com