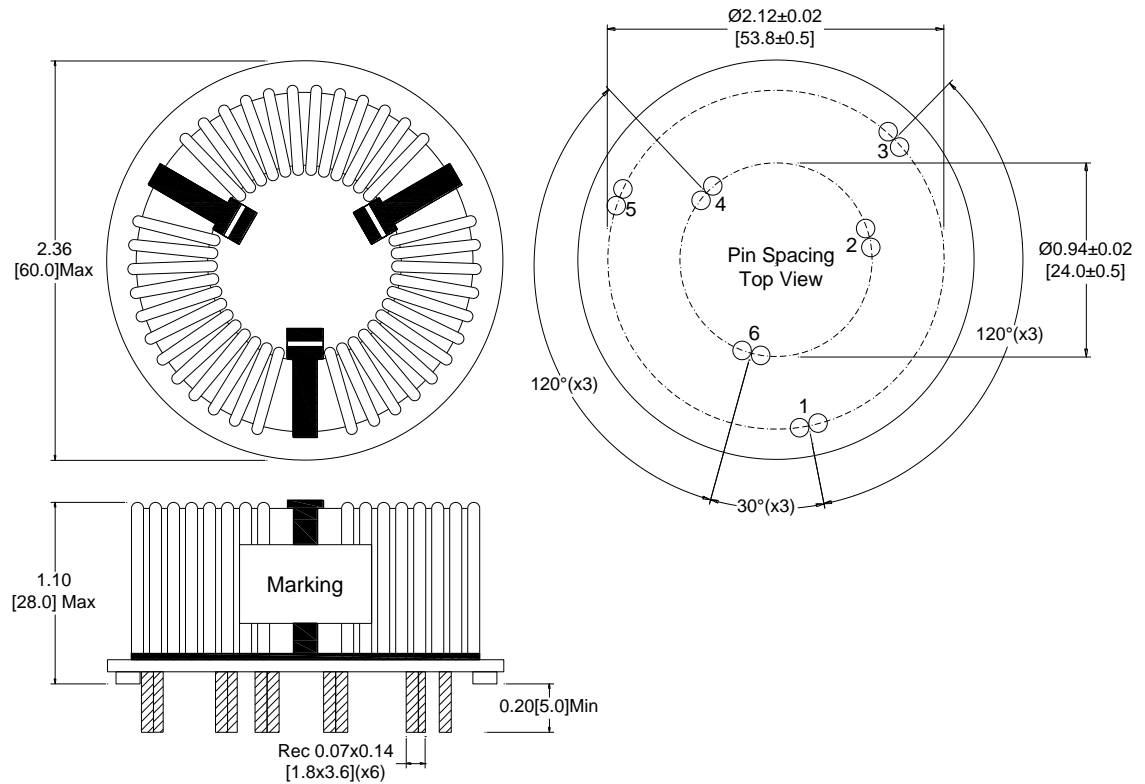


Rev	Description	By	Date
1	Preliminary	AY	29-Sep-20

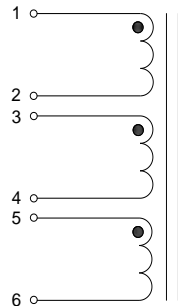
### ELECTRICAL SPECIFICATIONS @ 25°C

L(per wdg): 350µH Min @ 10kHz, 0.1Vrms  
 DCR(per wdg): 1.8mΩ Max  
 Irms: ΔT≤40°C @ 32A  
 Turns Ratio: 1:1:1±0T  
 (1-2):(3-4):(5-6)  
 Polarity: 1, 3 and 5 are in phase  
 Hipot: 2kVac, 1mA Max, 10s (wdg to wdg)  
 Operating Temperature: -40 °C to +125 °C  
 RoHS Compliant: Yes

### DIMENSIONS



### SCHEMATIC



### MARKING

MPS  
 P56TP48H-351\_Rev  
 Date Code

Dimensions: inch/[mm]

#### Notice of Proprietary Property

These drawings and specifications are the property of MPS and shall not be reproduced, copied or used as the basis of manufacture of sale of apparatus without express written authorization

Dimensions	DRAWN BY:	AY	29-Sep-20	SIZE
Unless otherwise specified .XX ± .010" [0,254mm] .XXX ± .005" [0,13mm]	CHECKED BY:	AG	2-Oct-20	A



MPS INDUSTRIES, INC.

[www.mpsind.com](http://www.mpsind.com)

Tel: (310) 325-1043 Fax: (310) 325-1044

Description

3-Phase CMC

Part Number

P56TP48H-351

REV

1

WEIGHT: 90 gms

SHEET: 1 OF 1