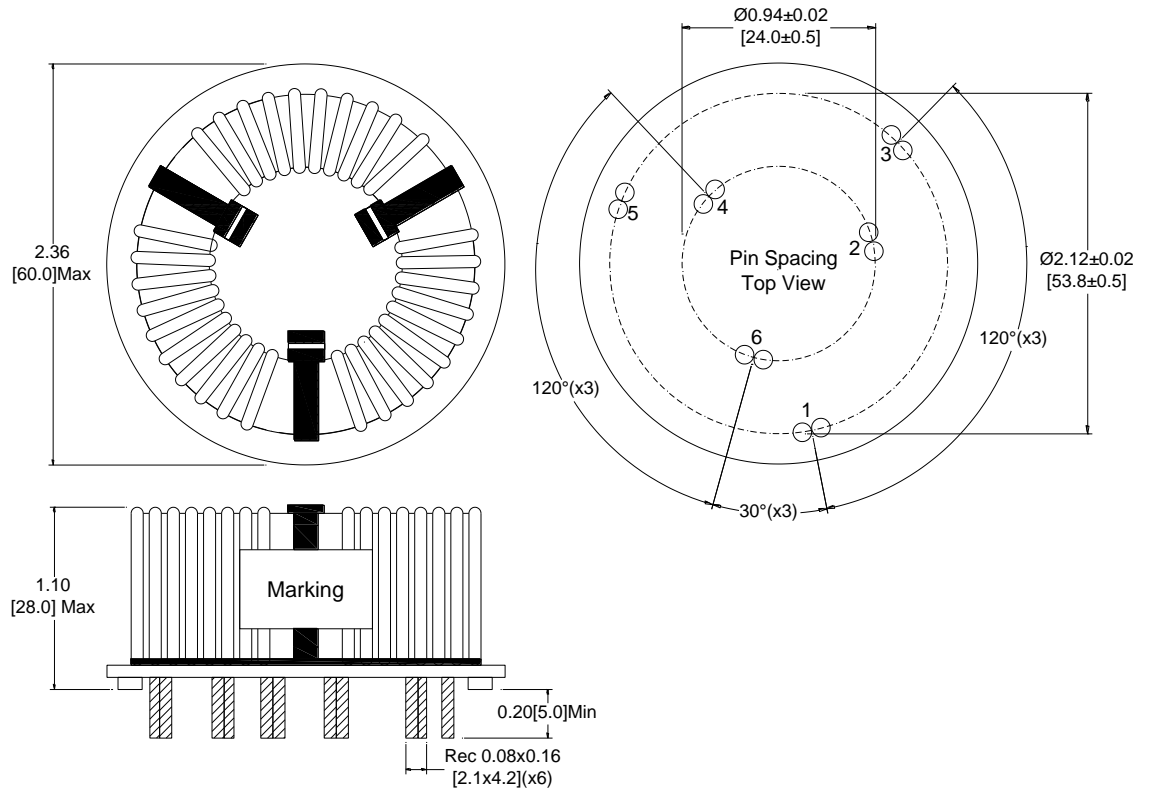


Rev	Description	By	Date
1	Preliminary	AY	29-Sep-20

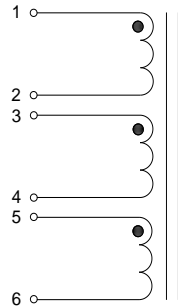
**ELECTRICAL SPECIFICATIONS @ 25°C**

L(per wdg): 240µH Min @ 10kHz, 0.1Vrms  
 DCR(per wdg): 1.2mΩ Max  
 Irms: ΔT≤40°C @ 39A  
 Turns Ratio: 1:1:1±0T  
 (1-2):(3-4):(5-6)  
 Polarity: 1, 3 and 5 are in phase  
 Hipot: 2kVac, 1mA Max, 10s (wdg to wdg)  
 Operating Temperature: -40 °C to +125 °C  
 RoHS Compliant: Yes

**DIMENSIONS**



**SCHEMATIC**




**MARKING**

MPS  
 P56TP48H-241\_Rev  
 Date Code

Dimensions: inch/[mm]

<b>Notice of Proprietary Property</b> These drawings and specifications are the property of MPS and shall not be reproduced, copied or used as the basis of manufacture of sale of apparatus without express written authorization			
<b>Dimensions</b> Unless otherwise specified .XX ± .010" [0,254mm] .XXX ± .005" [0,13mm]	DRAWN BY: CHECKED BY:	AY AG	29-Sep-20 1-Oct-20

 <b>MPS INDUSTRIES, INC.</b> <a href="http://www.mpsind.com">www.mpsind.com</a> Tel: (310) 325-1043 Fax: (310) 325-1044			
		Description <b>3-Phase CMC</b>	
Part Number	<b>P56TP48H-241</b>		REV <b>1</b>
WEIGHT: 90 gms		SHEET: 1 OF 1	