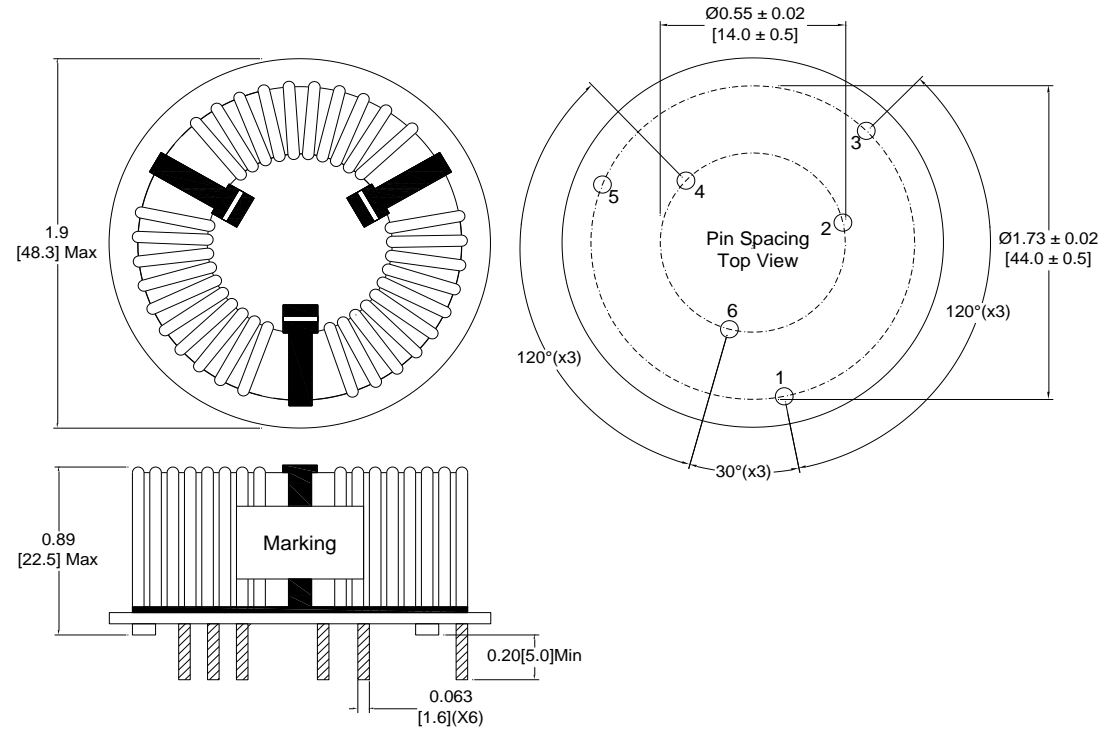


Rev	Description	By	Date
1	Preliminary	TM	29-Sep-20

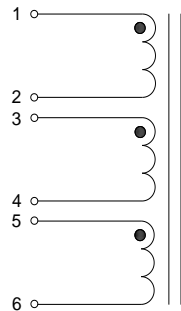
### ELECTRICAL SPECIFICATIONS @ 25°C

L(per wdg): 750μH Min @ 10kHz, 0.1Vrms  
 DCR(per wdg): 4.0mΩ Max  
 Irms: ΔT≤40°C @15A  
 Turns Ratio: 1:1:1±0T  
 (1-2):(3-4):(5-6)  
 Polarity: 1, 3 and 5 are in phase  
 Hipot: 2kVac, 1mA Max, 10s (wdg to wdg)  
 Operating Temperature: -40 °C to +125 °C  
 RoHS Compliant: Yes

### DIMENSIONS




### SCHEMATIC



### MARKING

MPS  
 P56TP38H-751\_Rev  
 Date Code

Dimensions: inch/[mm]

<b>Notice of Proprietary Property</b> These drawings and specifications are the property of MPS and shall not be reproduced, copied or used as the basis of manufacture of sale of apparatus without express written authorization				 <b>MPS INDUSTRIES, INC.</b> <a href="http://www.mpsind.com">www.mpsind.com</a> Tel: (310) 325-1043 Fax: (310) 325-1044			
						Description	
<b>Dimensions</b> Unless otherwise specified .XX ± .010" [0,254mm] .XXX ± .005" [0,13mm]		DRAWN BY: CHECKED BY:	TM AG	29-Sep-20 5-Oct-20	SIZE <b>A</b>	Part Number <b>P56TP38H-751</b>	REV <b>1</b>
				WEIGHT: 90 gms		SHEET: 1 OF 1	