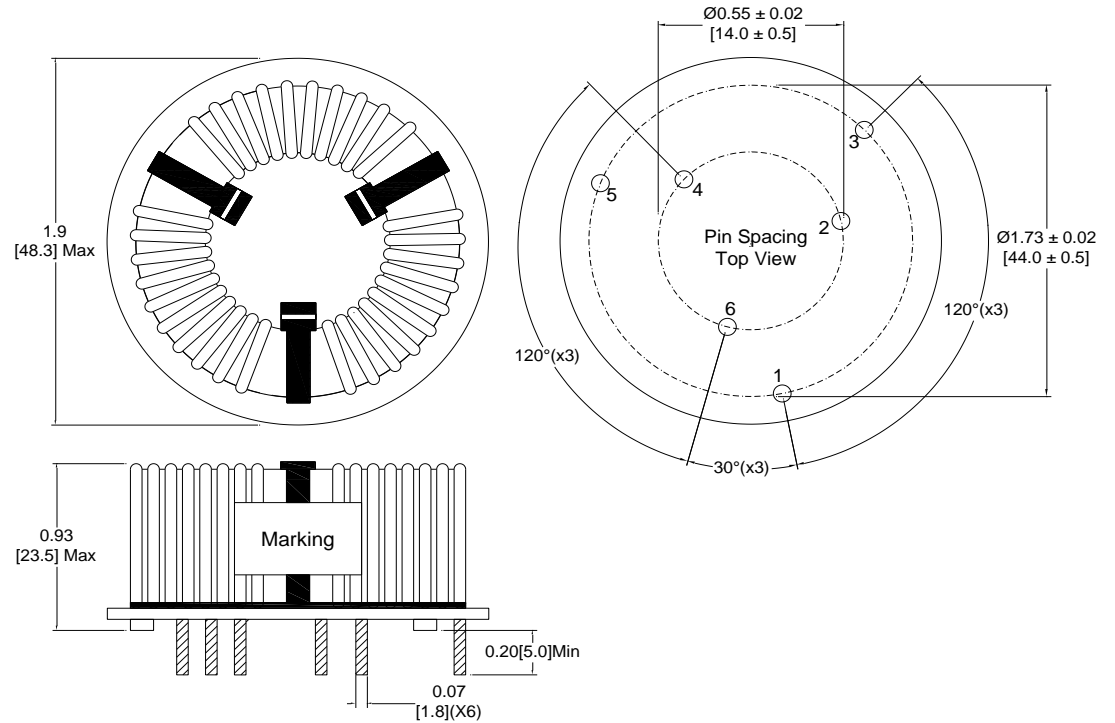


Rev	Description	By	Date
1	Preliminary	TM	29-Sep-20

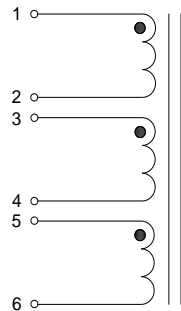
ELECTRICAL SPECIFICATIONS @ 25°C

L(per wdg): 570μH Min @ 10kHz, 0.1Vrms
 DCR(per wdg): 3.0mΩ Max
 Irms: ΔT≤40°C @17A
 Turns Ratio: 1:1:1±0T
 (1-2):(3-4):(5-6)
 Polarity: 1, 3 and 5 are in phase
 Hipot: 2kVac, 1mA Max, 10s (wdg to wdg)
 Operating Temperature: -40 °C to +125 °C
 RoHS Compliant: Yes

DIMENSIONS




SCHEMATIC



MARKING

MPS
 P56TP38H-571_Rev
 Date Code

Dimensions: inch/[mm]

Notice of Proprietary Property These drawings and specifications are the property of MPS and shall not be reproduced, copied or used as the basis of manufacture of sale of apparatus without express written authorization				 MPS INDUSTRIES, INC. www.mpsind.com Tel: (310) 325-1043 Fax: (310) 325-1044			
						Description	
				3-Phase CMC			
Dimensions Unless otherwise specified .XX ± .010" [0,254mm] .XXX ± .005" [0,13mm]		DRAWN BY: CHECKED BY:	TM AG	29-Sep-20 5-Oct-20	SIZE A	Part Number P56TP38H-571	REV 1
				WEIGHT: 90 gms		SHEET: 1 OF 1	