

# COMMON MODE CHOKE



## P53DM16 SERIES



- Common mode choke with improved differential performance without sacrificing common mode performance
- Dielectric withstanding voltage: 1500 Vrms (between windings)
- Operating temperature range: 0°C to +70°C
- Custom design available upon request
- RoHS compliant product

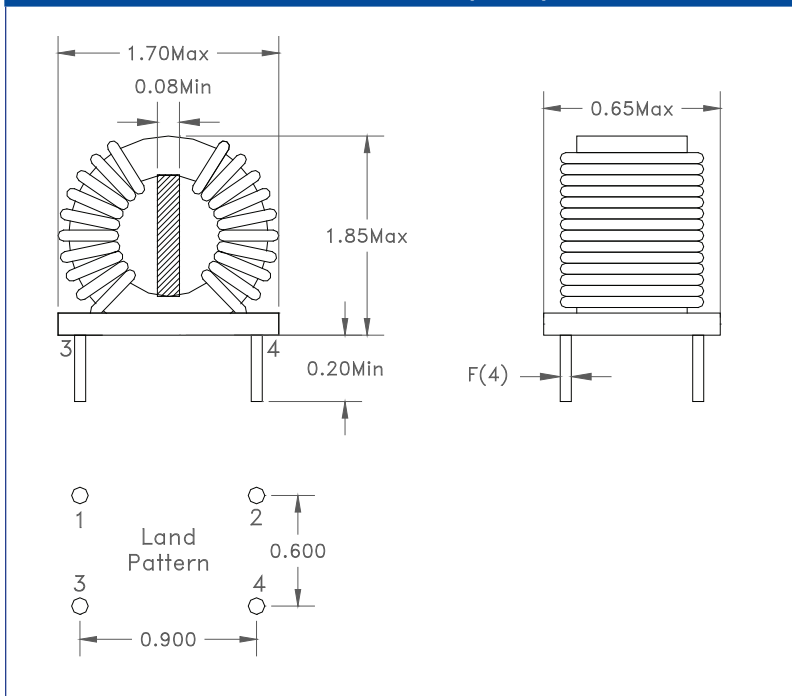
### ELECTRICAL PARAMETERS @ 25°C

Part Number	Inductance 1-3, 2-4 (mH Min)	Rated Irms (A)	Leakage Inductance 1-3 (shorted 2-4) (µH Min)	DCR (Ω MAX)	Dimension F (±0.005 inch)
P53DM16-					
402-6	4.0	5.0	40	0.026	0.046
502-5	5.0	4.5	60	0.032	0.046
702-4	7.0	4.0	80	0.052	0.040
103-3	10.0	3.0	100	0.072	0.036

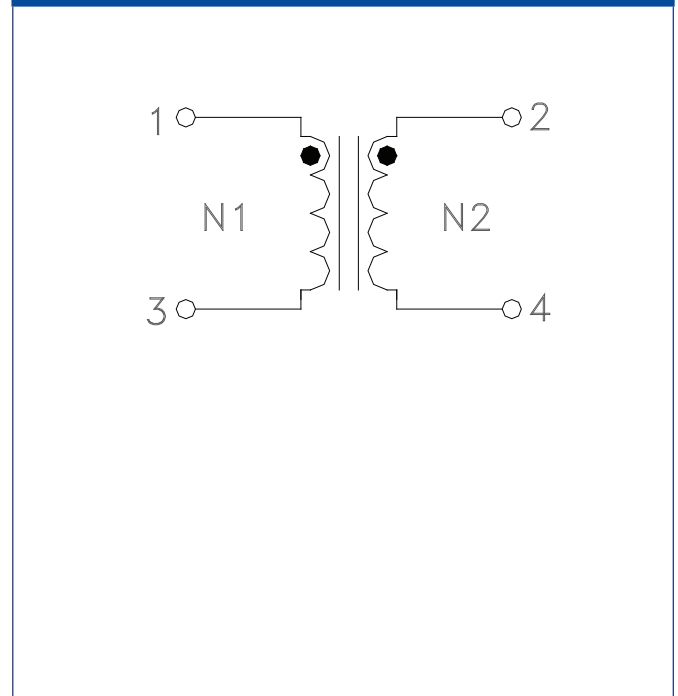
**Note:**

1. Inductance and Leakage Inductance measured: 10KHz, 1Vrms
2. Polarity: 1 and 2 are in phase
3. Turns Ratio: 1:1 ±1% (1-3 to 2-4)
4. ΔT of 35°C Temperature Rise at rated current

### DIMENSIONS (inch)



### SCHEMATIC



**Dimensions**

Unless otherwise specified, all tolerances are:  
 inch: .XX : ±0.008 .XXX : ±0.004  
 mm: X.X : ±0.20 X.XX : ±0.10

Product performance is limited to specified parameters. Data is subject to change without prior notice.