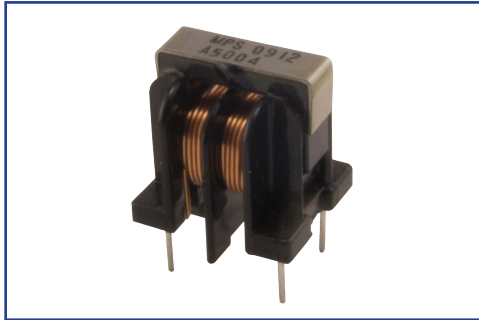


COMMON MODE CHOKE



P52U98 SERIES



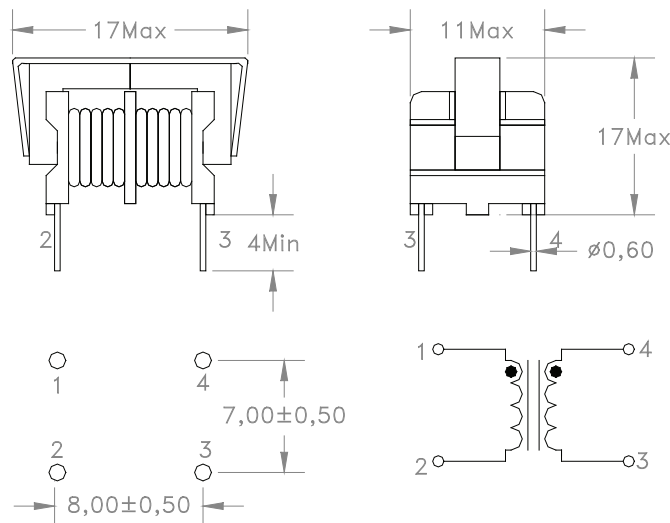
- AC line filter common mode choke
- Dielectric withstanding voltage: 3750 Vrms (between windings)
- Operating temperature range: -40°C to +85°C
- Custom design available upon request
- RoHS compliant product

ELECTRICAL PARAMETERS @ 25°C

Part Number	Inductance (mH Min)	Rated Irms (A)	DCR (Ω MAX)
P52U98-			
501-1.5	0.5	1.50	0.12
102-1.2	1.0	1.20	0.22
202-0.85	2.0	0.85	0.40
502-0.5	5.0	0.50	1.00
802-0.4	8.0	0.40	2.00
103-0.35	10	0.35	2.20
223-0.27	22	0.27	4.00

- Note:
1. Inductance measured: 1KHz, 0.1Vrms
 2. Polarity: 1 and 4 are in phase
 3. Turns Ratio: 1:1 (1-2 to 4-3)
 4. ΔT of 35°C Temperature Rise at rated current

DIMENSIONS (mm)



Dimensions
 Unless otherwise specified, all tolerances are:
 inch: .XX : ±0.008 .XXX : ±0.004
 mm: X.X : ±0,20 X,XX : ±0,10

Product performance is limited to specified parameters. Data is subject to change without prior notice.

Tel: 310-325-1043
 Fax: 310-325-1044

www.mpsind.com
 sales@mpsind.com