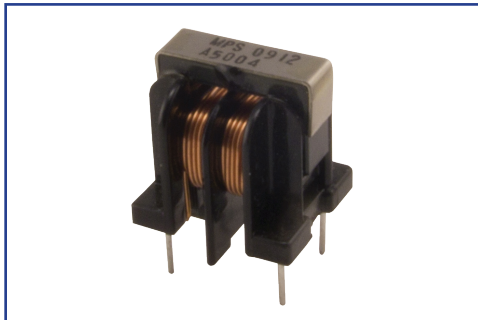


COMMON MODE CHOKE



P52U157 SERIES



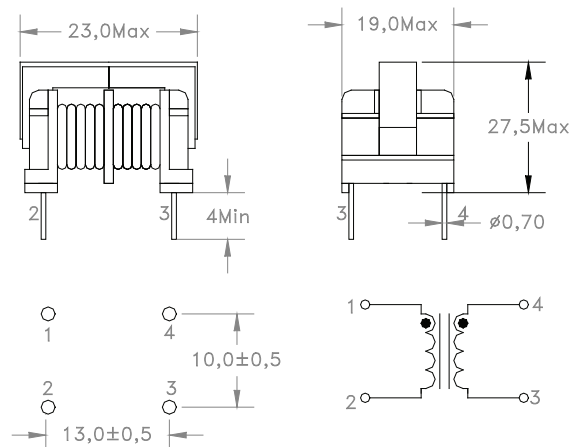
- AC line filter common mode choke
- Dielectric withstanding voltage: 3750 Vrms (between windings)
- Operating temperature range: -40°C to +85°C
- Custom design available upon request
- RoHS compliant product

ELECTRICAL PARAMETERS @ 25°C

Part Number	Inductance (mH Min)	Rated Irms (A)	DCR (Ω MAX)
P52U157-			
601-4.4	0.6	4.40	0.03
102-3.6	1.0	3.60	0.03
202-2.9	2.0	2.90	0.06
502-2.3	5.0	2.30	0.10
802-1.6	8.0	1.60	0.20
103-1.5	10	1.50	0.22
203-1	20	1.00	0.49
303-0.8	30	0.80	0.76
453-0.7	45	0.70	1.18

- Note:
1. Inductance measured: 1KHz, 0.1Vrms
 2. Polarity: 1 and 4 are in phase
 3. Turns Ratio: 1:1 (1-2 to 4-3)
 4. ΔT of 35°C Temperature Rise at rated current

DIMENSIONS (mm)



Dimensions
 Unless otherwise specified, all tolerances are:
 inch: .XX : ±0.008 .XXX : ±0.004
 mm: X.X : ±0.20 X.XX : ±0.10

Product performance is limited to specified parameters. Data is subject to change without prior notice.

Tel: 310-325-1043
 Fax: 310-325-1044

www.mpsind.com
 sales@mpsind.com