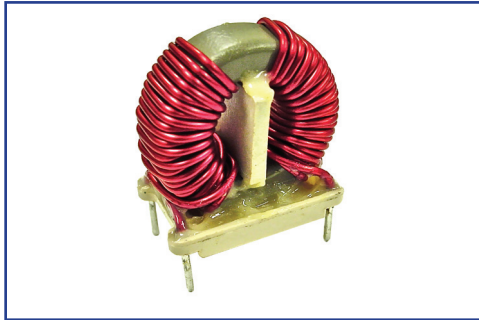


COMMON MODE CHOKE



P52TM16 SERIES



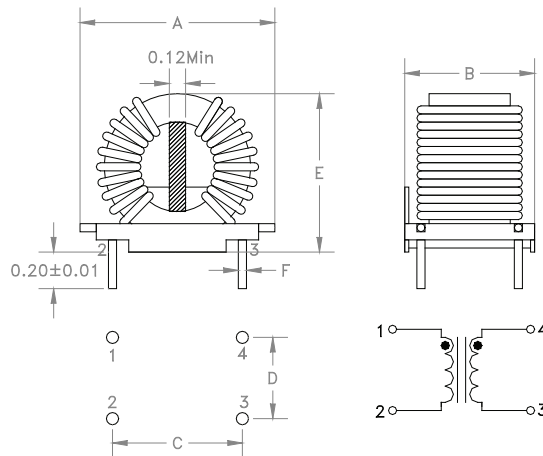
- Toroidal core type common mode choke
- Dielectric withstanding voltage: 2000 Vrms (between windings)
- Operating temperature range: -40°C to +85°C
- Vertical mount version (horizontal mount version and custom design available upon request)
- RoHS compliant product

ELECTRICAL PARAMETERS @ 25°C

Part Number	Inductance (mH) (Min)	Rated I rms (A)	DCR (Ω MAX)	Dimension A (inch Max)	Dimension B (inch Max)	Dimension C (±0.010 inch)	Dimension D (±0.010 inch)	Dimension E (inch Max)	Dimension F (±0.005 inch)
303-2.3	30.0	2.3	0.330	1.35	0.81	0.900	0.600	1.45	0.050
203-2.9	20.0	2.9	0.210	1.35	0.81	0.900	0.600	1.45	0.050
123-4	12.0	4.0	0.110	1.35	0.81	0.900	0.600	1.45	0.050
802-5.6	8.0	5.6	0.055	1.35	0.81	0.900	0.600	1.45	0.050
502-8.9	5.0	8.9	0.022	1.45	0.81	0.900	0.600	1.50	0.043
252-12.5	2.5	12.5	0.011	1.45	0.81	0.900	0.600	1.50	0.053
122-16	1.2	16.0	0.006	1.50	0.81	0.900	0.600	1.53	0.060
503-2.3	50.0	2.3	0.450	1.55	0.81	0.900	0.600	1.65	0.050
363-2.9	36.0	2.9	0.300	1.55	0.81	0.900	0.600	1.65	0.050
732-9.3	7.3	9.3	0.032	1.65	0.81	0.900	0.600	1.65	0.043

- Note:
1. Inductance measured: 1KHz, 0.1Vrms
 2. Polarity: 1 and 4 are in phase
 3. Turns Ratio: 1:1 (1-2 to 4-3)
 4. ΔT of 35°C Temperature Rise at rated current

DIMENSIONS (inch)



Dimensions
 Unless otherwise specified, all tolerances are:
 inch: .XX : ±0.008 .XXX : ±0.004
 mm: X.X : ±0.20 X.XX : ±0.10

Product performance is limited to specified parameters. Data is subject to change without prior notice.

Tel: 310-325-1043
 Fax: 310-325-1044

www.mpsind.com
 sales@mpsind.com