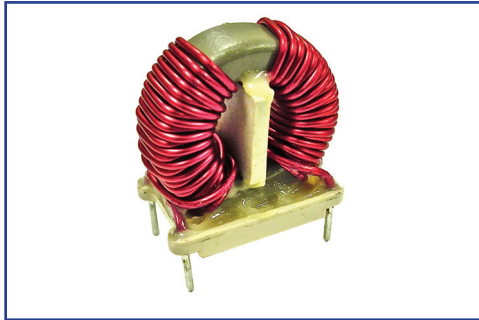


COMMON MODE CHOKE



P52TM12 SERIES



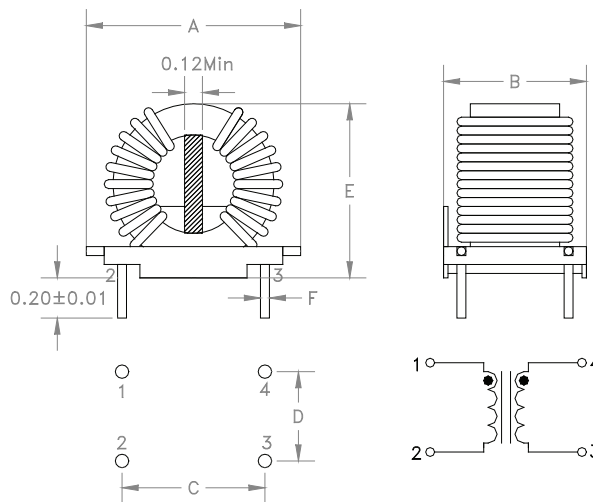
- Toroidal core type common mode choke
- Dielectric withstanding voltage: 2000 Vrms (between windings)
- Operating temperature range: -40°C to +85°C
- Vertical mount version (horizontal mount version and custom design available upon request)
- RoHS compliant product

ELECTRICAL PARAMETERS @ 25°C

Part Number	Inductance (mH) (Min)	Rated Irms (A)	DCR (mΩ MAX)	Dimension A (inch Max)	Dimension B (inch Max)	Dimension C (±0.010 inch)	Dimension D (±0.010 inch)	Dimension E (inch Max)	Dimension F (±0.005 inch)
P52TM12-103-8	10.0	8	40	1.35	0.70	0.800	0.400	1.30	0.050
702-9	7.00	9	35	1.35	0.70	0.800	0.400	1.30	0.050
502-10	5.00	10	25	1.35	0.70	0.800	0.400	1.30	0.050
202-12	2.00	12	20	1.35	0.70	0.800	0.400	1.30	0.050
102-13	1.00	13	12	1.35	0.70	0.800	0.400	1.30	0.050
501-16	0.50	16	7	1.35	0.70	0.800	0.400	1.30	0.050
251-18	0.25	18	5	1.35	0.70	0.800	0.400	1.30	0.050

- Note:
1. Inductance measured: 1KHz, 0.1Vrms
 2. Polarity: 1 and 4 are in phase
 3. Turns Ratio: 1:1 (1-2 to 4-3)
 4. ΔT of 35°C Temperature Rise at rated current

DIMENSIONS (inch)



Dimensions
 Unless otherwise specified, all tolerances are:
 inch: .XX : ±0.008 .XXX : ±0.004
 mm: X.X : ±0.20 X.XX : ±0.10

Product performance is limited to specified parameters. Data is subject to change without prior notice.

Tel: 310-325-1043
 Fax: 310-325-1044

www.mpsind.com
 sales@mpsind.com