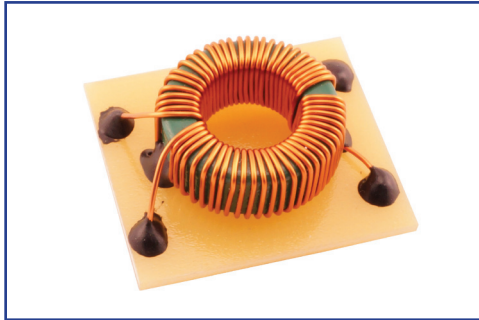


# 2 PHASE COMMON MODE CHOKE



## P505H SERIES



- Current compensated noise suppression common mode chokes
- Horizontal mount version; unpotted for cost reduction
- Rate voltage: 250Vac
- Dielectric withstanding voltage: 1500 Vrms (between windings)
- Operating temperature range: 0°C to +70°C
- Custom design available upon request
- RoHS compliant product

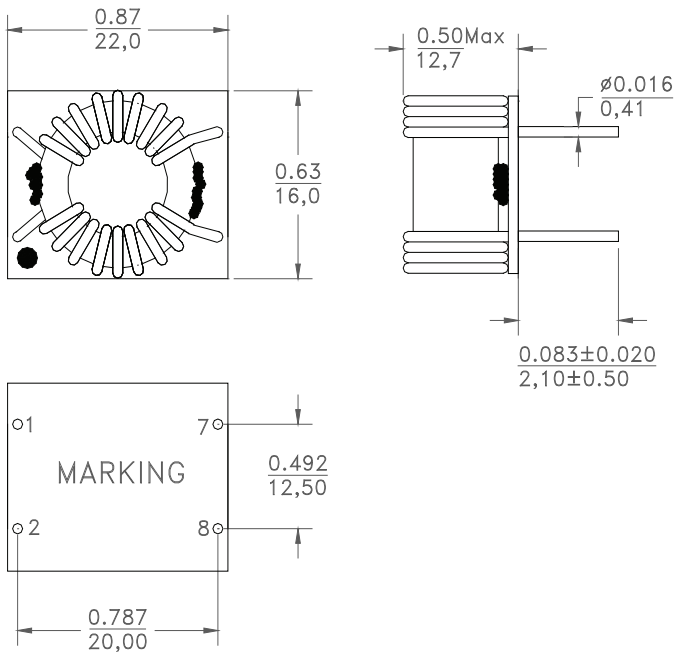
### ELECTRICAL PARAMETERS @ 25°C

Part Number P504H-	OCL (mH ±30%)	Current (A)	DCR (Ω ±20%)	SRF (KHz Typ)
03	3.3	2.5	0.07	700
10	10	1.2	0.30	350
27	27	0.7	0.62	180
39	39	0.5	1.12	160

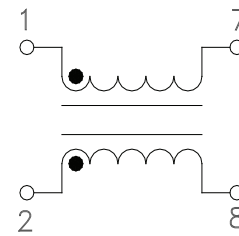
Note:

1. OCL measured: 1KHz, 0.1Vrms
2. Polarity: 1 and 2 are in phase
3. Turns Ratio: 1:1 ±0% (1-7 to 2-8)

### DIMENSIONS



### SCHEMATIC



**Dimensions**

Unless otherwise specified, all tolerances are:  
 inch: .XX : ±0.010 .XXX : ±0.005  
 mm: X.X : ±0.254 X.XX : ±0.13

Product performance is limited to specified parameters. Data is subject to change without prior notice.