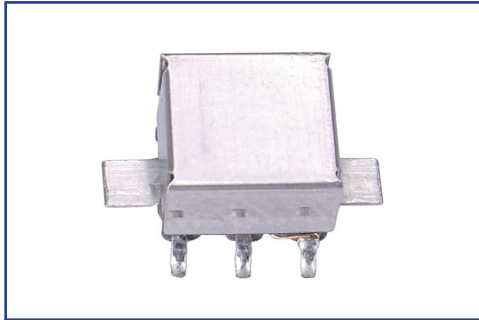


CURRENT SENSE TRANSFORMERS



P4100E5 SERIES



- Surface Mount Current Sense Transformers
- Peak Current Sensing: 10A and 40% Duty Cycle
- Operating Frequency: 50KHz to 1MHz
- Operating Temperature: -40°C to +85°C
- RoHS Compliant Product
- Custom Design Available

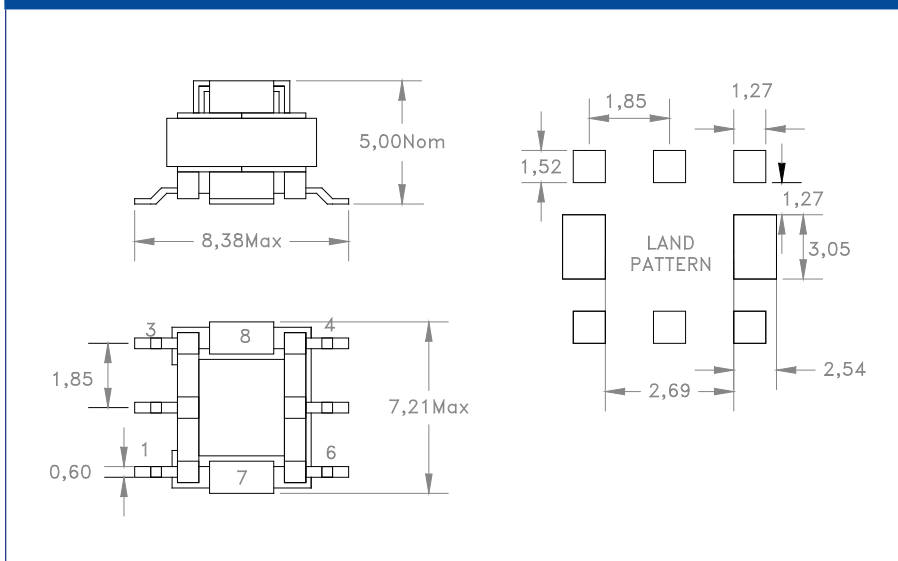
ELECTRICAL PARAMETERS @25°C

Part Number	Inductance (Ns) (mH Min)	Turns (±2% Max)	DCR (8-7) (mΩ MAX)	DCR (Ns) (Ω MAX)	Current (A)
P4100E5-20	0.08	1:20	6	0.55	10
P4100E5-30	0.18	1:30	6	0.87	10
P4100E5-40	0.32	1:40	6	1.14	10
P4100E5-50	0.50	1:50	6	1.50	10
P4100E5-60	0.72	1:60	6	1.75	10
P4100E5-70	0.98	1:70	6	4.75	10
P4100E5-100	2.00	1:100	6	5.50	10
P4100E5-125	3.00	1:125	6	6.50	10

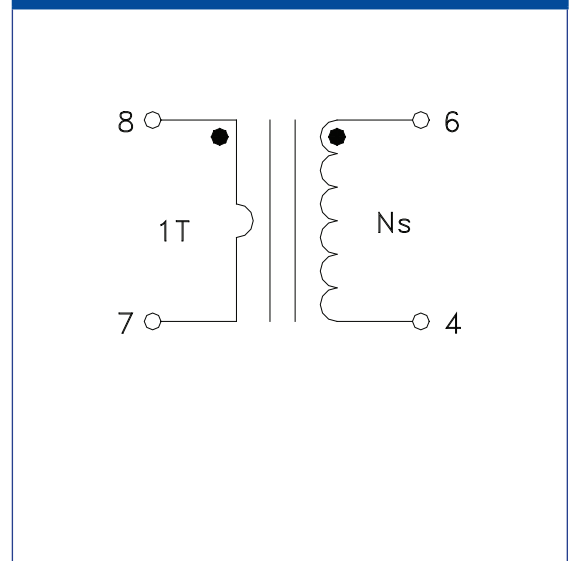
NOTES:

- Inductance tested at 15.75KHz, 0.1 Vrms
- Hipot: 500Vrms Min

DIMENSIONS



SCHEMATIC



Dimensions

Unless otherwise specified, all tolerances are:
 inch: .XX : ±0.015 .XXX : ±0.004
 mm: X.X : ±0.38 X.XX : ±0.10

Product performance is limited to specified parameters. Data is subject to change without prior notice.

Tel: 310-325-1043
 Fax: 310-325-1044

www.mpsind.com
 sales@mpsind.com