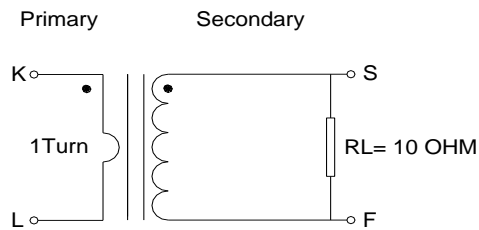


Rev	Description	By	Date
1	Preliminary	TC	22-Apr-19
2	Correct lead wire PN per email 12/9/19	TC	9-Dec-19

ELECTRICAL SPECIFICATIONS @ 25°C

Input (1T): 170Apeak / 48KHz
 Output: 315mA, 3.1V ±5% with 10 Ω Load
 Turns Ratio(Pri : Sec): 1 : 540 ±1%
 Hipot (Input to Output): 4000V_{RMS}, 5mA, 60S
 Operating Temp: -40°C to + 85°C
 RoHS: Yes

SCHEMATIC

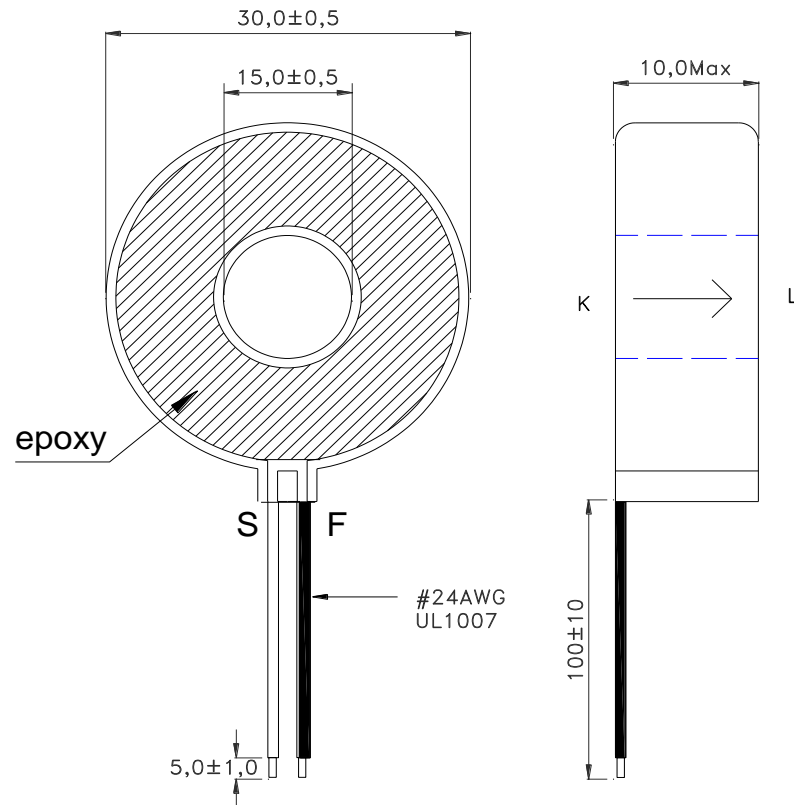


1T primary is not provided

MARKING

MPS
 P4055_(Latest Rev)
 DATE CODE

DIMENSIONS




Dimensions: mm

Notice of Proprietary Property

These drawings and specifications are the property of MPS and shall not be reproduced, copied or used as the basis of manufacture of sale of apparatus without express written authorization

Dimensions Unless otherwise specified .XX ± .010" [0,254mm] .XXX ± .005 [0,13mm]	DRAWN BY: CHECKED BY:	TC TC	9-Dec-19 9-Dec-19	SIZE A
--------------------------------------------------------------------------------------------------	--------------------------	----------	----------------------	------------------

		MPS INDUSTRIES, INC. www.mpsind.com Tel: (310) 325-1043 Fax: (310) 325-1044	
		Description	
Part Number		P4055	
WEIGHT: 50 gms		SHEET: 1 OF 1	
REV		2	