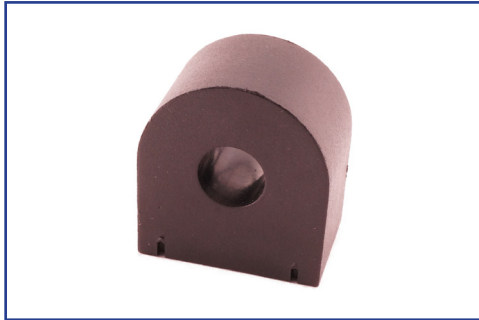


# VERTICAL PCB MOUNT CURRENT TRANSFORMER



## P4020 SERIES



- Current Transformer for general purpose use
- Meets common AC current measurement needs
- High Ratio
- Isolation: 2000 Vrms
- Operating Temperature: -40°C to +100°C
- RoHS Compliant Product
- Custom Design Available

### ELECTRICAL PARAMETERS @25°C

Part Number	Rated Current (A)	Turns (Typ)	Vmax (RMS)	Frequency (Hz)
P4020-102	20	1023	5.0	47-63
P4020-202	50	2046	10.2	47-63
P4021-102	50	1016	6.8	47-63
P4021-152	75	1520	10.3	47-63
P4022-102	100	1021	10.7	47-63
P4022-202	200	2037	14.6	47-63

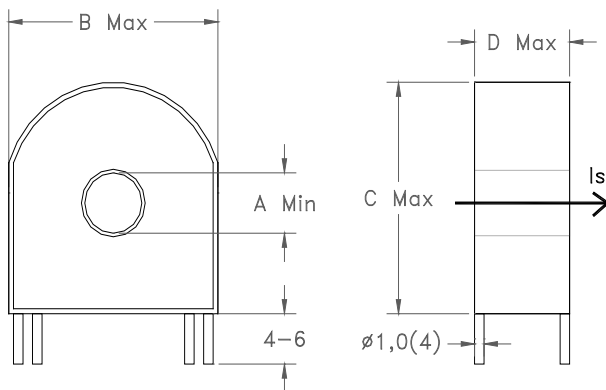
**NOTES:**

- Rated Current (Ir): Max input current to be linearly sensed
- Vmax: Max linear voltage CT will develop at Ir
- Vout: (Input current x Loaded resistance) / Turns

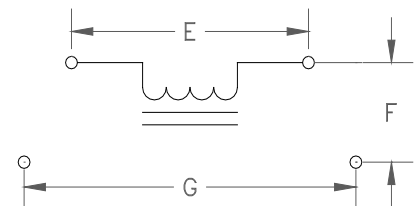
### DIMENSIONS (mm)

Part Number	A min	B Max	C Max	D Max	E ±0.5	F ±0.5	G ±0.5
P4020	6.90	23.50	25.00	11.00	15.20	9.50	19.05
P4021	9.00	26.00	28.00	17.00	15.20	15.50	19.00
P4022	12.80	37.50	39.00	14.00	25.40	13.00	33.02

### DIMENSIONS



### SCHEMATIC



Pin Spacing (Top View)

Product performance is limited to specified parameters. Data is subject to change without prior notice.