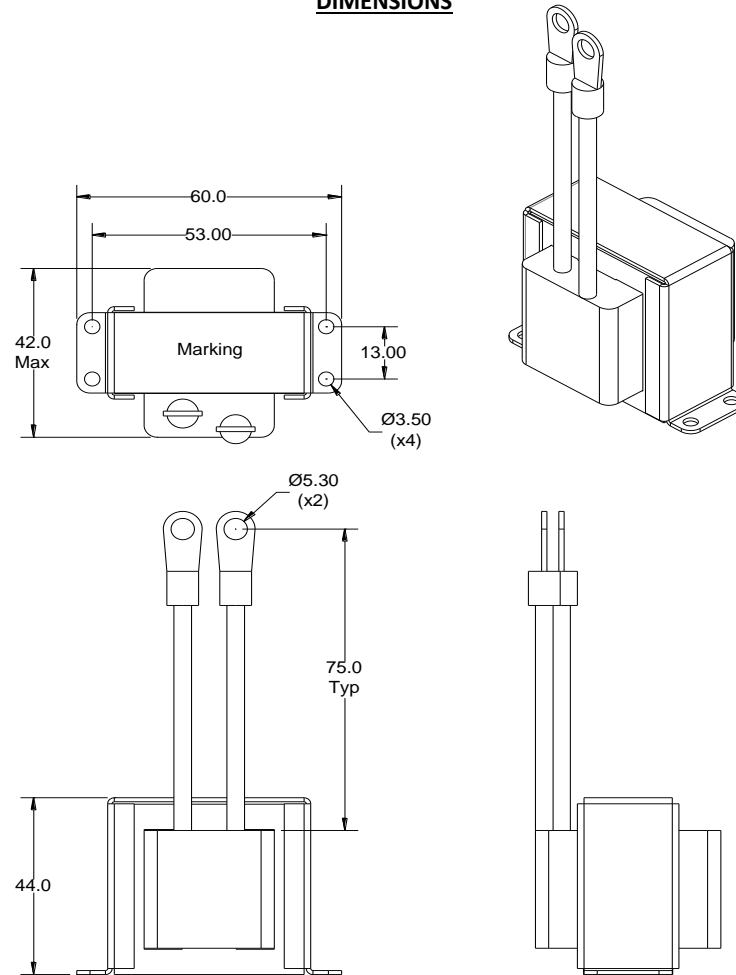


Rev	Description	By	Date
A	Released for production	AG	19-Oct-21

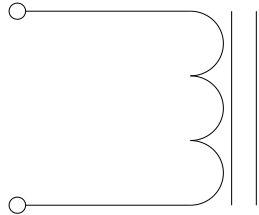
**ELECTRICAL SPECIFICATIONS @ 25°C**

L:  $5\mu\text{H}\pm 10\%$  @ 100kHz, 1Vrms  
 $\Delta L \leq 10\%$  @ 90Adc  
DCR: 2.5mΩ Max  
Hipot: 2kVac, 1mA Max, 5s (wdg to bracket)  
RoHS Compliant: Yes

**DIMENSIONS**



**SCHEMATIC**



**MARKING**

MPS  
P1642B-5R0\_Rev#  
Date Code

Dimensions: mm

**Notice of Proprietary Property**

These drawings and specifications are the property of MPS and shall not be, reproduced, copied or used as the basis of manufacture or sale of apparatus without express written authorization



MPS INDUSTRIES, INC.

www.mpsind.com

Tel: (310) 325-1043 Fax: (310) 325-1044

Description

**Resonant Inductor**

<b>Dimensions</b> Unless otherwise specified .X ± .5mm .XX ± .25mm	DRAWN BY: CHECKED BY:	AG AY	19-Oct-21 19-Oct-21	SIZE	Part Number	REV
				<b>A</b>	<b>P1642B-5R0</b>	<b>A</b>
				WEIGHT: XX gms		SHEET: 1 OF 1