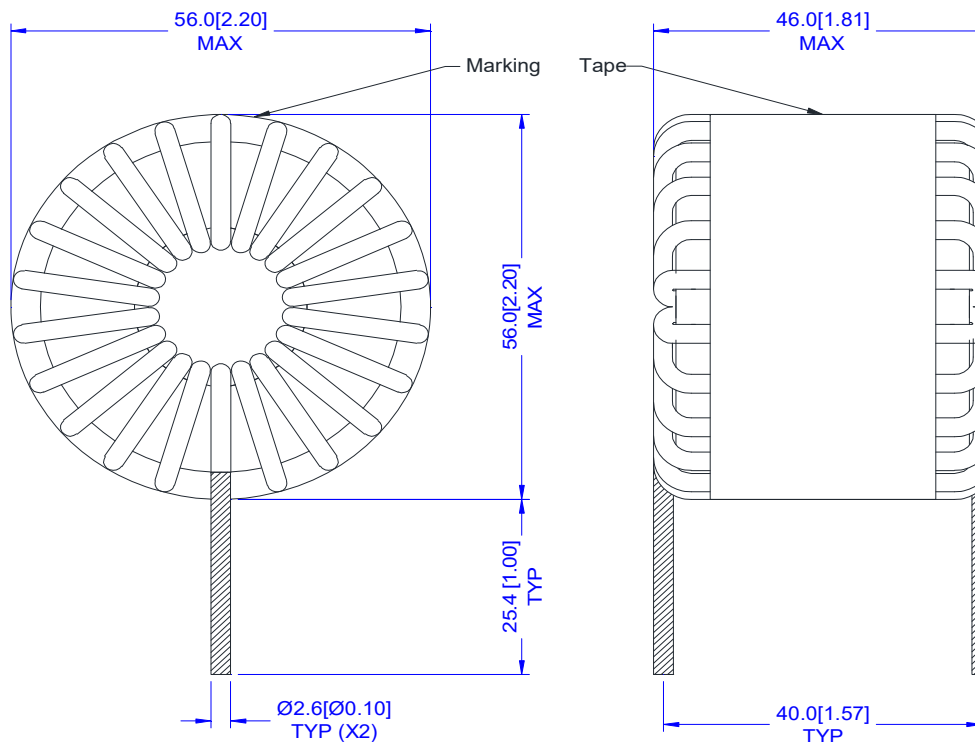


Rev	Description	By	Date
A	Released for production	AG	6-May-16
B	Changed PN from P11T60-33A-131V to P11T62-33A-131V	KLC	9-Apr-18

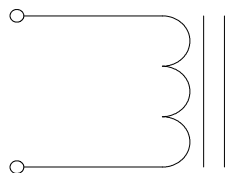
ELECTRICAL SPECIFICATIONS @ 25°C

L : 131μH±15% @ 10kHz, 1Vrms
 L rms : ΔL≤30% @ 48Adc
 DCR : 9 mΩ Max
 Irms : ΔT≤40°C @ 33Adc
 SRF (Typical) : 4 MHz Typ
 Capacitance (Typical) : 12 pF
 Operating Temp : -40°C to 180°C
 Insulation Class : Class H 180°C
 RoHS Compliant : Yes
 Flamability : UL-94 V-0

DIMENSIONS



SCHEMATIC



MARKING

MPS
 P11T60-33A-131V
 Date Code

Notice of Proprietary Property

These drawings and specifications are the property of MPS Industries and shall not be reproduced, copied or used as the basis of manufacture or sale of apparatus without express written authorization.



MPS INDUSTRIES, INC.

www.mpsind.com

Tel: (310) 325-1043 Fax: (310) 325-1044

Description

Power Inductor

Dimensions: mm [inch]

Unless otherwise specified
 .X ± 0.5 [0.020"]
 .XX ± 0.25 [0.010"]

DRAWN BY:
 CHECKED BY:

AG
 AY
 6-May-16
 9-May-16

SIZE
A

Part Number

P11T62-33A-131V

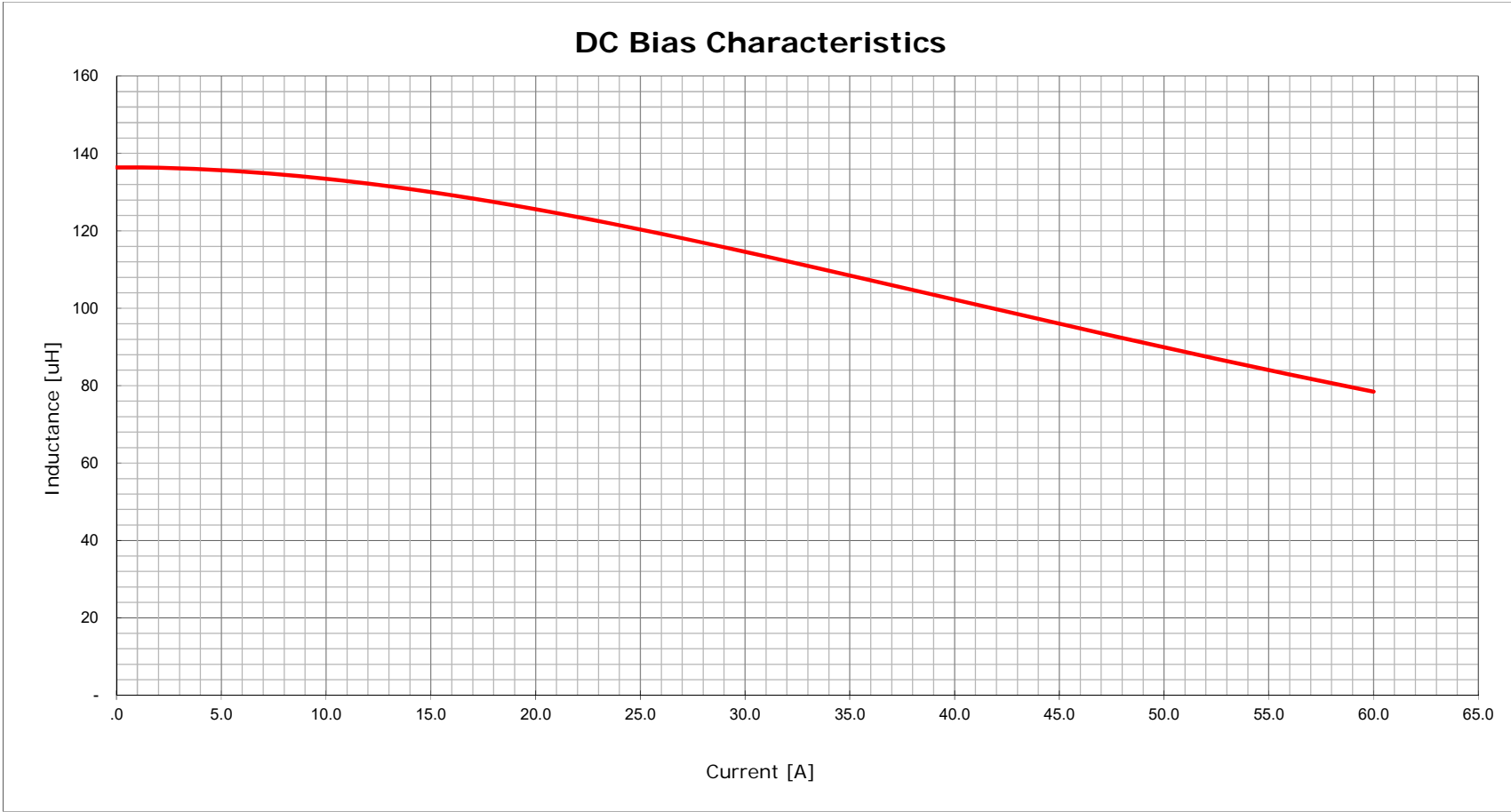
WEIGHT : 420 g

SHEET: 1 OF 2

REV

B

Rev	Description	By	Date
A	Released for production	AG	6-May-16
B	Changed PN from P11T60-33A-131V to P11T62-33A-131V	KLC	9-Apr-18



Notice of Proprietary Property
 These drawings and specifications are the property of MPS Industries and shall not be reproduced, copied or used as the basis of manufacture of sale of apparatus without express written authorization.



MPS INDUSTRIES, INC.
 www.mpsind.com
 Tel: (310) 325-1043 Fax: (310) 325-1044

Description
Power Inductor

Dimensions: mm [inch] Unless otherwise specified .X ± 0.5[0.020"] .XX ± 0.25[0.010"]	DRAWN BY:	AG	6-May-16	SIZE	Part Number	REV
	CHECKED BY:	AY	9-May-16	A		
					P11T62-33A-131V	B
				SCALE: X:X	WEIGHT: 420 g	SHEET: 2 OF 2