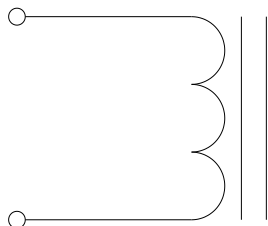


Rev	Description	By	Date
A	Released for production	KA	4-Sep-18

**ELECTRICAL SPECIFICATIONS @ 25°C**

L: 390μH±15% @ 10kHz, 1Vrms  
 ΔL≤30% @ 28A<sub>dc</sub>  
 DCR: 40mΩ Max  
 I<sub>rms</sub>: ΔT≤40°C @ 16A<sub>dc</sub>  
 SRF: 2MHz Typ  
 Operating Temp: -40°C to 180°C  
 Insulation Class: Class K 200°C Min  
 RoHS Compliant: Yes

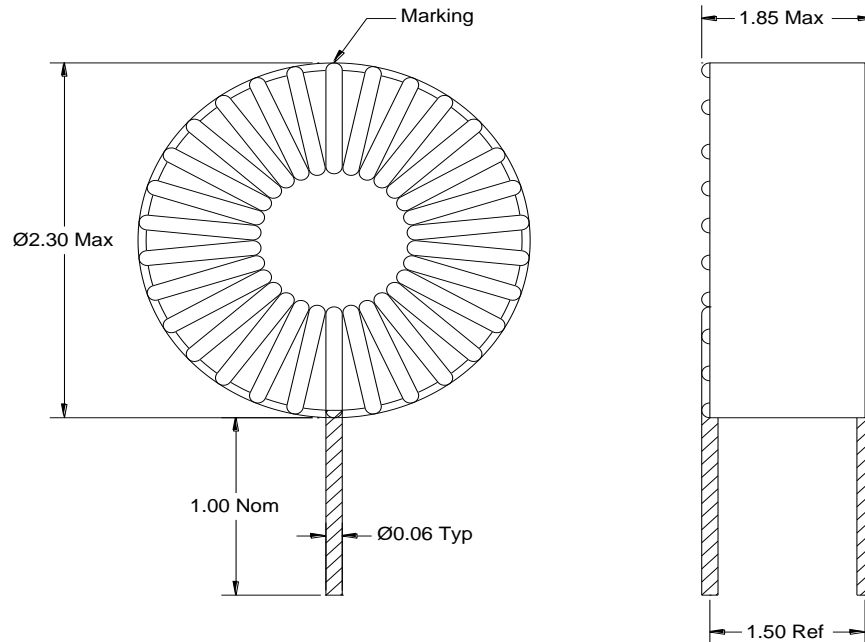
**SCHEMATIC**



**MARKING**

MPS  
 P11T62-16A-391V  
 Date Code

**DIMENSIONS**



Dimensions: inch

**Notice of Proprietary Property**

These drawings and specifications are the property of MPS and shall not be, reproduced, copied or used as the basis of manufacture of sale of apparatus without express written authorization



MPS INDUSTRIES, INC.

[www.mpsind.com](http://www.mpsind.com)

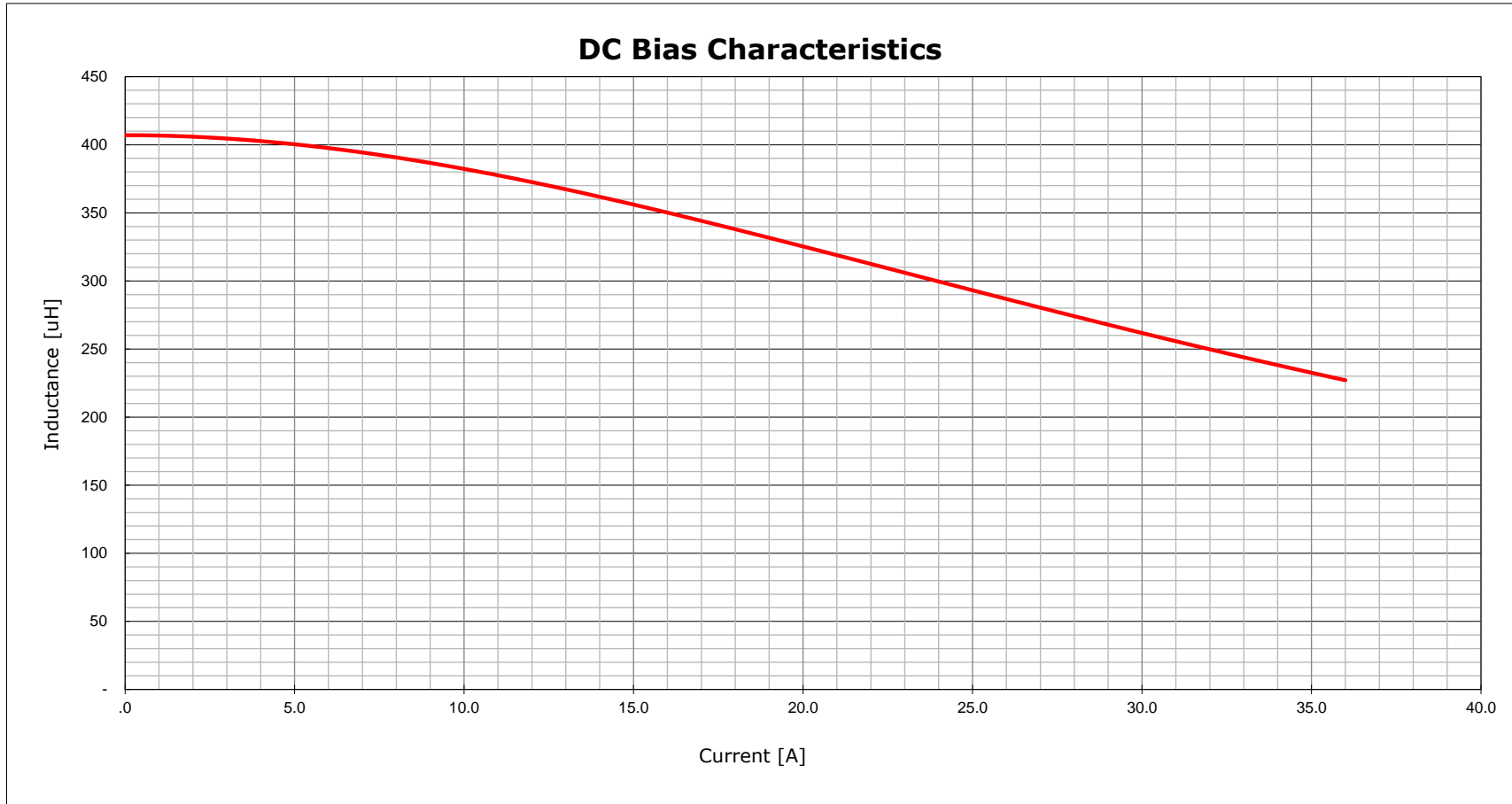
Tel: (310) 325-1043 Fax: (310) 325-1044

Description

**Power Inductor**

<b>Dimensions</b> Unless otherwise specified .XX ± .010" .XXX ± .005"	DRAWN BY:	KA	4-Sep-18	SIZE	Part Number	REV
	CHECKED BY:	AG	4-Sep-18	<b>A</b>		
					<b>P11T62-16A-391V</b>	<b>A</b>
					WEIGHT: 375 gms	SHEET: 1 OF 2

Rev	Description	By	Date
A	Released for production	KA	4-Sep-18



**Notice of Proprietary Property**

These drawings and specifications are the property of MPS and shall not be, reproduced, copied or used as the basis of manufacture or sale of apparatus without express written authorization

**Dimensions**  
Unless otherwise specified  
.XX ± .010"  
.XXX ± .005"

DRAWN BY:  
CHECKED BY:

KA  
AG  
4-Sep-18  
4-Sep-18

SIZE  
**A**



**MPS INDUSTRIES, INC.**

www.mpsind.com

Tel: (310) 325-1043 Fax: (310) 325-1044

Description

**Power Inductor**

Part Number

**P11T62-16A-391V**

REV

**A**

SHEET: 2 OF 2