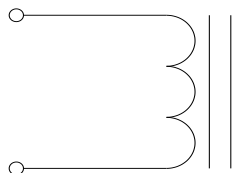


Rev	Description	By	Date
A	Released for production	AG	6-May-16

**ELECTRICAL SPECIFICATIONS @ 25°C**

L: 39μH±15% @ 10kHz, 1Vrms  
 ΔL≤30% @ 90Adc  
 DCR: 4mΩ Max  
 Irms: ΔT≤40°C @ 63Adc  
 SRF: 5.8MHz Typ  
 Operating Temp: -40°C to 180°C  
 Insulation Class: Class K 200°C Min  
 RoHS Compliant: Yes

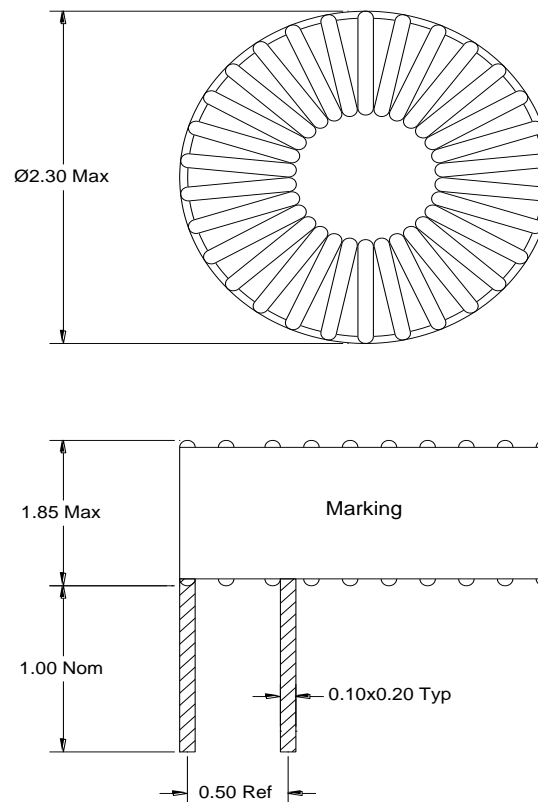
**SCHEMATIC**



**MARKING**


MPS  
 P11T60-63A-390H  
 Date Code

**DIMENSIONS**



Dimensions: inch

**Notice of Proprietary Property**  
 These drawings and specifications are the property of MPS and shall not be reproduced, copied or used as the basis of manufacture of sale of apparatus without express written authorization

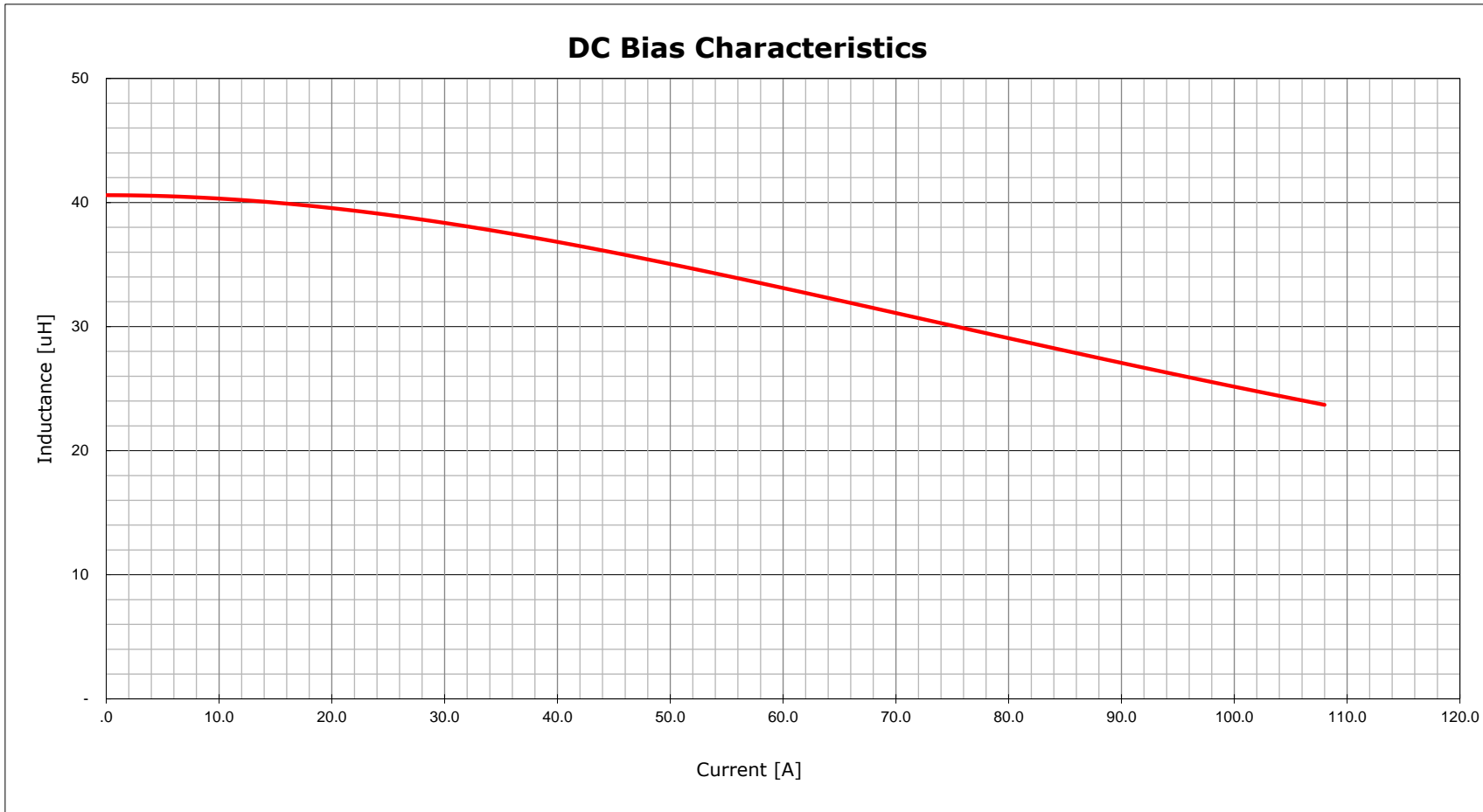

**MPS INDUSTRIES, INC.**  
[www.mpsind.com](http://www.mpsind.com)  
 Tel: (310) 325-1043 Fax: (310) 325-1044

Description  
**Power Inductor**

<b>Dimensions</b> Unless otherwise specified .XX ± .010" .XXX ± .005"	DRAWN BY: CHECKED BY:	AG AY	6-May-16 9-May-16	SIZE <b>A</b>	Part Number	REV <b>A</b>
					<b>P11T60-63A-390H</b>	

WEIGHT: XX gms SHEET: 1 OF 2

Rev	Description	By	Date
A	Released for production	AG	6-May-16



**Notice of Proprietary Property**

These drawings and specifications are the property of MPS and shall not be reproduced, copied or used as the basis of manufacture of sale of apparatus without express written authorization



**MPS INDUSTRIES, INC.**

www.mpsind.com

Tel: (310) 325-1043 Fax: (310) 325-1044

Description

**Power Inductor**

**Dimensions**  
Unless otherwise specified  
.XX ± .010"  
.XXX ± .005"

DRAWN BY:  
CHECKED BY:

AG  
AY

6-May-16  
9-May-16

SIZE  
**A**

Part Number

**P11T60-63A-390H**

REV

**A**

SCALE: X:X

WEIGHT: XX gms

SHEET: 2 OF 2