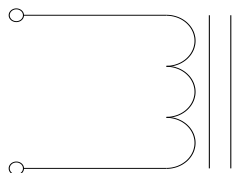


Rev	Description	By	Date
A	Released for production	AG	6-May-16

ELECTRICAL SPECIFICATIONS @ 25°C

L: 23μH±15% @ 10kHz, 1Vrms
ΔL≤30% @ 83Adc
DCR: 2.5mΩ Max
Irms: ΔT≤40°C @ 53Adc
SRF: 8.5MHz Typ
Operating Temp: -40°C to 180°C
Insulation Class: Class K 200°C Min
RoHS Compliant: Yes

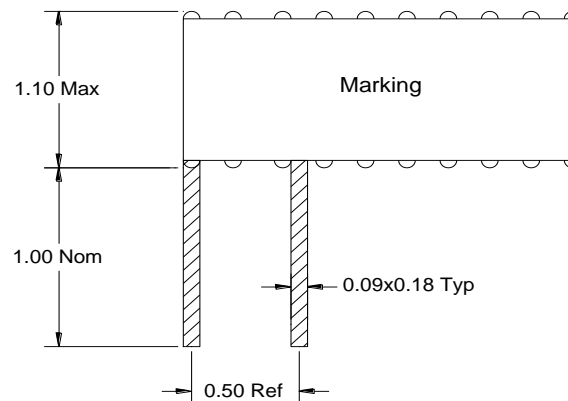
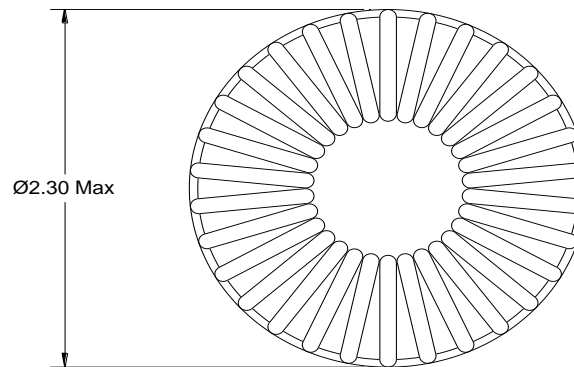
SCHEMATIC



MARKING

MPS
P11T60-53A-230H
Date Code

DIMENSIONS



Dimensions: inch

Notice of Proprietary Property

These drawings and specifications are the property of MPS and shall not be reproduced, copied or used as the basis of manufacture of sale of apparatus without express written authorization



MPS INDUSTRIES, INC.

www.mpsind.com

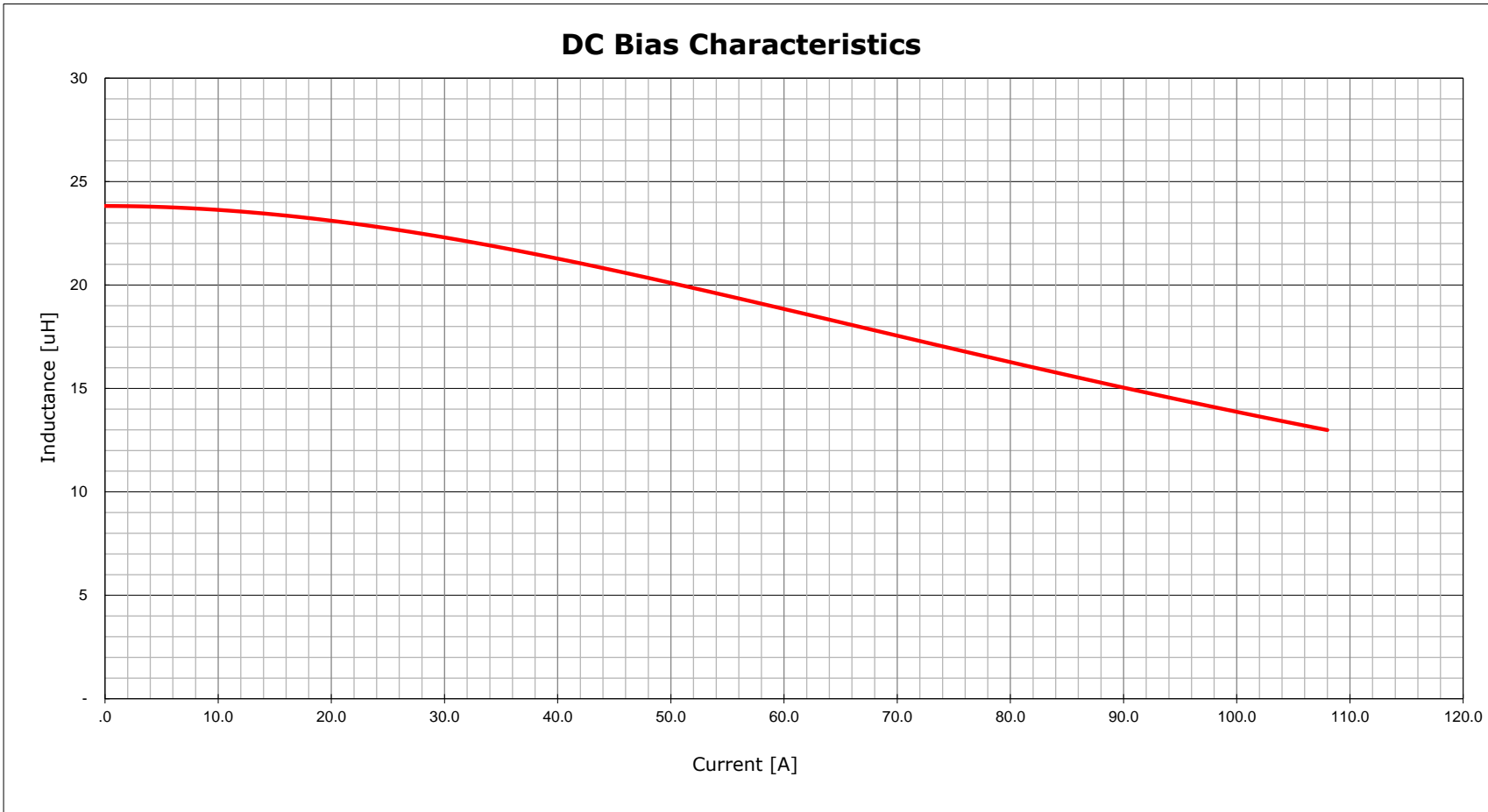
Tel: (310) 325-1043 Fax: (310) 325-1044

Description

Power Inductor

Dimensions Unless otherwise specified .XX ± .010" .XXX ± .005"	DRAWN BY: CHECKED BY:	AG AY	6-May-16 9-May-16	SIZE	Part Number	REV
				A	P11T60-53A-230H	A
				WEIGHT: XX gms	SHEET: 1 OF 2	

Rev	Description	By	Date
A	Released for production	AG	6-May-16



Notice of Proprietary Property

These drawings and specifications are the property of MPS and shall not be, reproduced, copied or used as the basis of manufacture of sale of apparatus without express written authorization



MPS INDUSTRIES, INC.

www.mpsind.com

Tel: (310) 325-1043 Fax: (310) 325-1044

Description

Power Inductor

Dimensions
Unless otherwise specified
.XX ± .010"
.XXX ± .005"

DRAWN BY:
CHECKED BY:

AG
AY

6-May-16
9-May-16

SIZE
A

Part Number

P11T60-53A-230H

REV

A

SCALE: X:X

WEIGHT: XX gms

SHEET: 2 OF 2