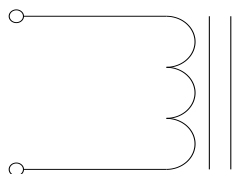


Rev	Description	By	Date
A	Released for production	AG	6-May-16

ELECTRICAL SPECIFICATIONS @ 25°C

L: 30μH±15% @ 10kHz, 1Vrms
 ΔL≤30% @ 72Adc
 DCR: 3.5mΩ Max
 Irms: ΔT≤40°C @ 44Adc
 SRF: 7.2MHz Typ
 Operating Temp: -40°C to 180°C
 Insulation Class: Class K 200°C Min
 RoHS Compliant: Yes

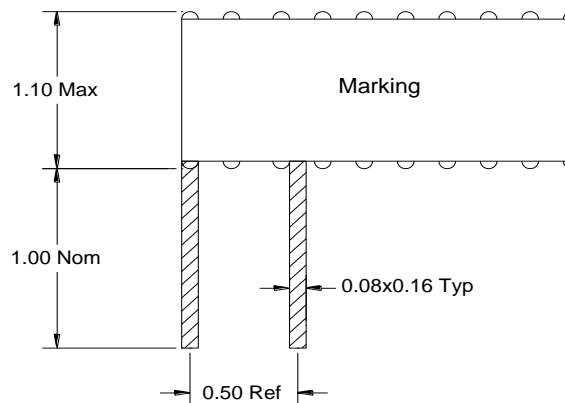
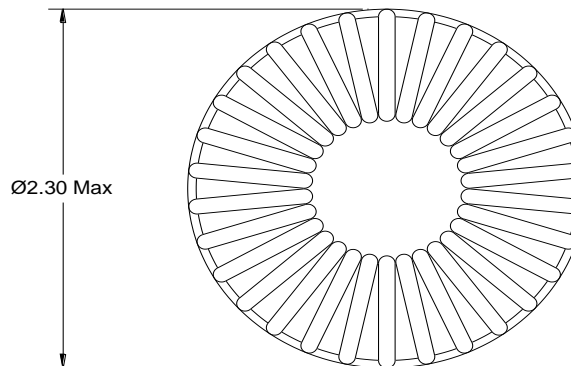
SCHEMATIC



MARKING


MPS
 P11T60-44A-300H
 Date Code

DIMENSIONS



Dimensions: inch

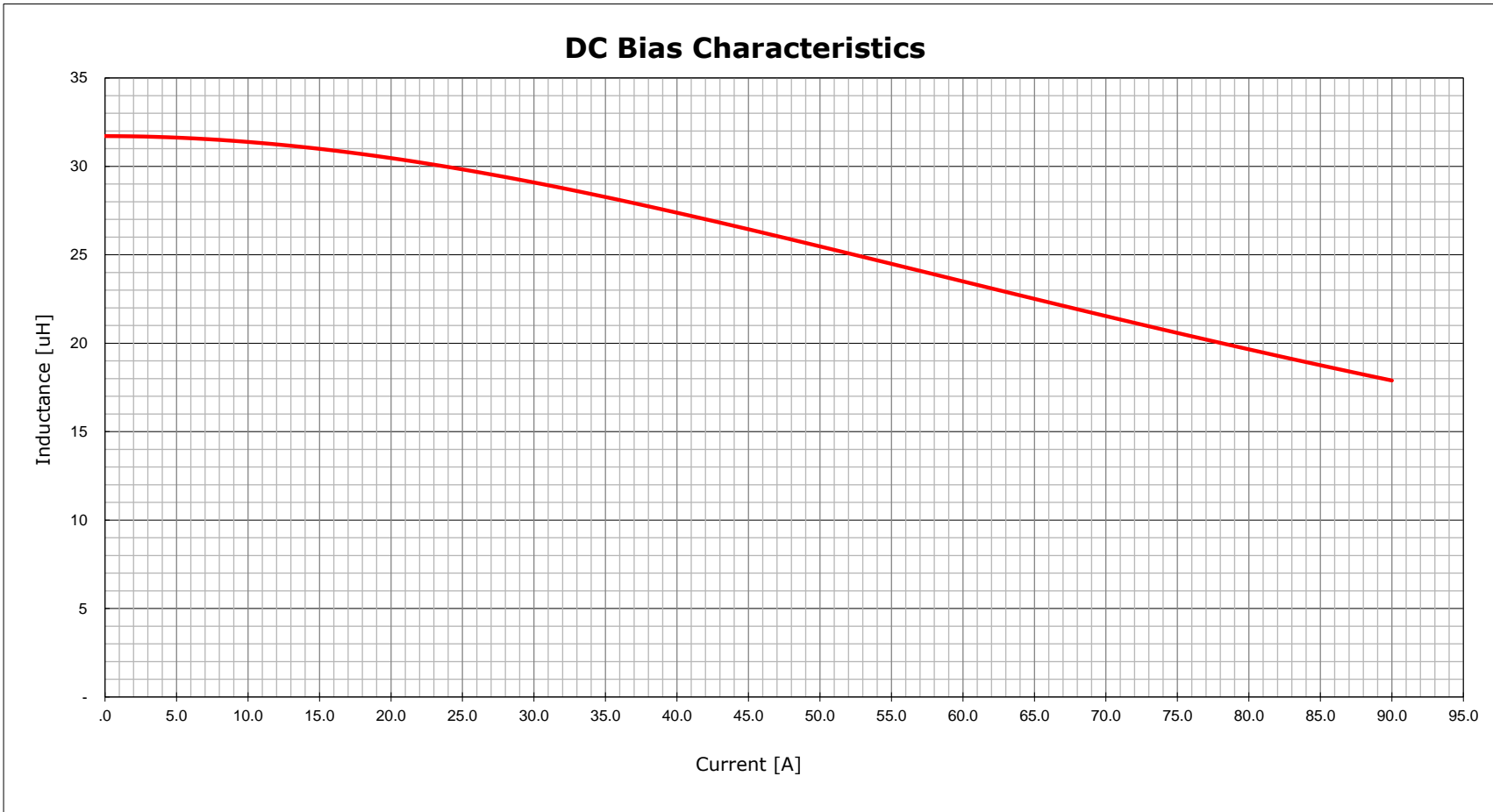
Notice of Proprietary Property
 These drawings and specifications are the property of MPS and shall not be reproduced, copied or used as the basis of manufacture of apparatus without express written authorization

	MPS INDUSTRIES, INC. www.mpsind.com Tel: (310) 325-1043 Fax: (310) 325-1044
	Description

Power Inductor

Dimensions Unless otherwise specified .XX ± .010" .XXX ± .005"	DRAWN BY: CHECKED BY:	AG AY	6-May-16 9-May-16	SIZE A	Part Number P11T60-44A-300H WEIGHT: XX gms	REV A SHEET: 1 OF 2
--	--------------------------	----------	----------------------	------------------	---	----------------------------------

Rev	Description	By	Date
A	Released for production	AG	6-May-16



Notice of Proprietary Property

These drawings and specifications are the property of MPS and shall not be reproduced, copied or used as the basis of manufacture or sale of apparatus without express written authorization



MPS INDUSTRIES, INC.

www.mpsind.com

Tel: (310) 325-1043 Fax: (310) 325-1044

Description

Power Inductor

Dimensions
Unless otherwise specified
.XX ± .010"
.XXX ± .005"

DRAWN BY:
CHECKED BY:

AG
AY

6-May-16
9-May-16

SIZE
A

Part Number

P11T60-44A-300H

REV

A

SCALE: X:X

WEIGHT: XX gms

SHEET: 2 OF 2