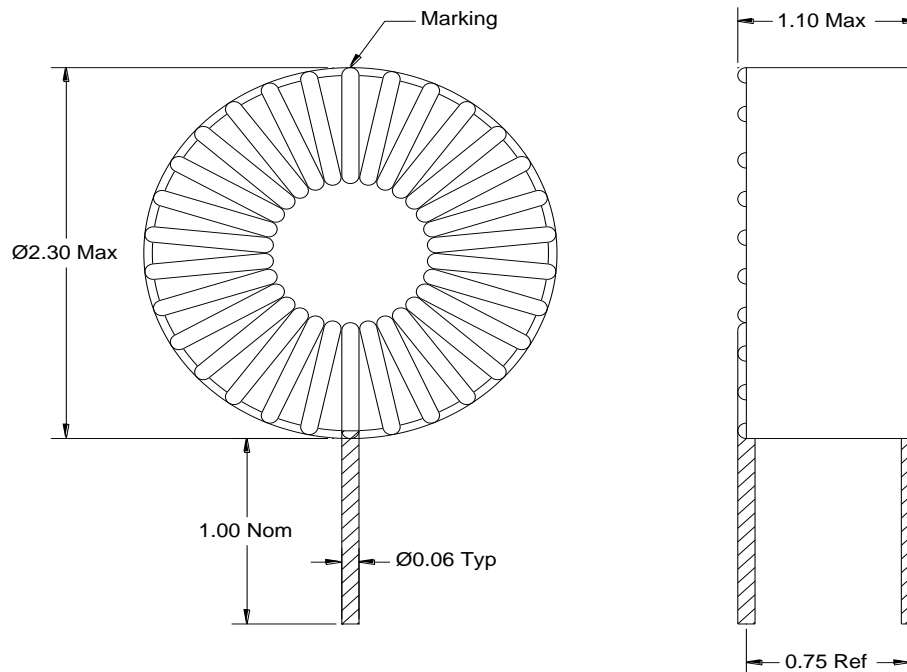


| Rev | Description | By | Date |
|-----|-------------------------|----|----------|
| A | Released for production | AG | 6-May-16 |

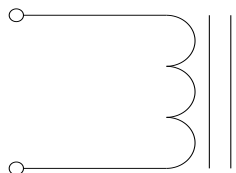
ELECTRICAL SPECIFICATIONS @ 25°C

L: 195μH±15% @ 10kHz, 1Vrms
 ΔL≤30% @ 28Adc
 DCR: 34.5mΩ Max
 Irms: ΔT≤40°C @ 16Adc
 SRF: 2.9MHz Typ
 Operating Temp: -40°C to 180°C
 Insulation Class: Class K 200°C Min
 RoHS Compliant: Yes

DIMENSIONS



SCHEMATIC




MARKING

MPS
 P11T60-16A-191V
 Date Code

Dimensions: inch

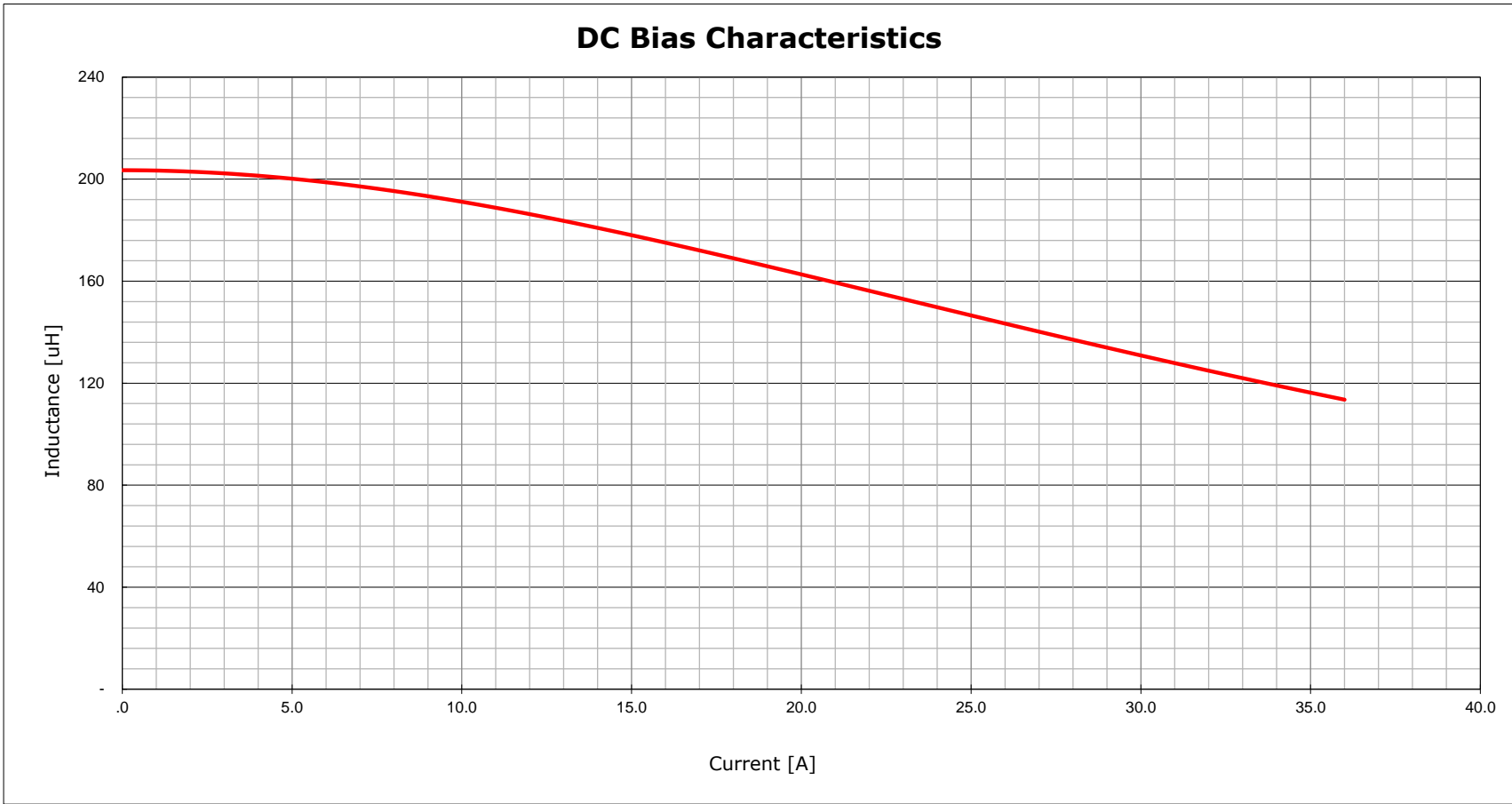
Notice of Proprietary Property
 These drawings and specifications are the property of MPS and shall not be, reproduced, copied or used as the basis of manufacture of sale of apparatus without express written authorization


MPS INDUSTRIES, INC.
www.mpsind.com
 Tel: (310) 325-1043 Fax: (310) 325-1044

Description
Power Inductor

| | | | | | | |
|--|--------------------------|----------|----------------------|------------------|------------------------|---------------|
| Dimensions Unless otherwise specified .XX ± .010" .XXX ± .005" | DRAWN BY: CHECKED BY: | AG AY | 6-May-16 9-May-16 | SIZE A | Part Number | REV |
| | | | | | P11T60-16A-191V | |
| | | | | WEIGHT: XX gms | | SHEET: 1 OF 2 |

| Rev | Description | By | Date |
|-----|-------------------------|----|----------|
| A | Released for production | AG | 6-May-16 |



Notice of Proprietary Property
 These drawings and specifications are the property of MPS and shall not be, reproduced, copied or used as the basis of manufacture of sale of apparatus without express written authorization



MPS INDUSTRIES, INC.

www.mpsind.com

Tel: (310) 325-1043 Fax: (310) 325-1044

Description

Power Inductor

Dimensions
 Unless otherwise specified
 .XX ± .010"
 .XXX ± .005"

DRAWN BY:
 CHECKED BY:

AG
 AY

6-May-16
 9-May-16

SIZE
A

Part Number

P11T60-16A-191V

REV
A

SCALE: X:X

WEIGHT: XX gms

SHEET: 2 OF 2