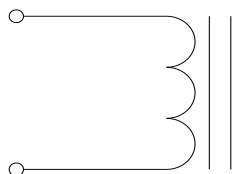


Rev	Description	By	Date
A	Released for production	AG	6-May-16

**ELECTRICAL SPECIFICATIONS @ 25°C**

L: 195μH±15% @ 10kHz, 1Vrms  
 ΔL≤30% @ 28Adc  
 DCR: 34.5mΩ Max  
 Irms: ΔT≤40°C @ 16Adc  
 SRF: 2.9MHz Typ  
 Operating Temp: -40°C to 180°C  
 Insulation Class: Class K 200°C Min  
 RoHS Compliant: Yes

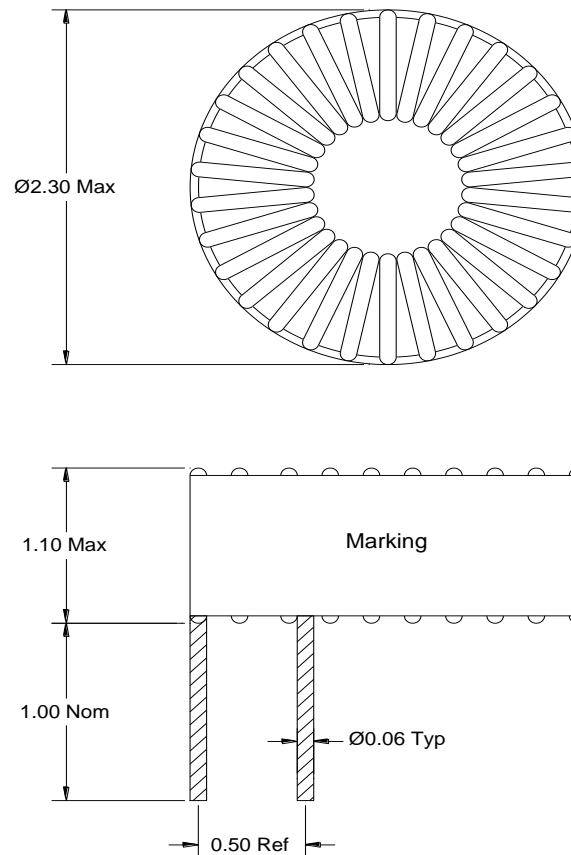
**SCHEMATIC**



**MARKING**

MPS  
 P11T60-16A-191H  
 Date Code

**DIMENSIONS**



Dimensions: inch

**Notice of Proprietary Property**

These drawings and specifications are the property of MPS and shall not be reproduced, copied or used as the basis of manufacture of sale of apparatus without express written authorization



MPS INDUSTRIES, INC.

[www.mpsind.com](http://www.mpsind.com)

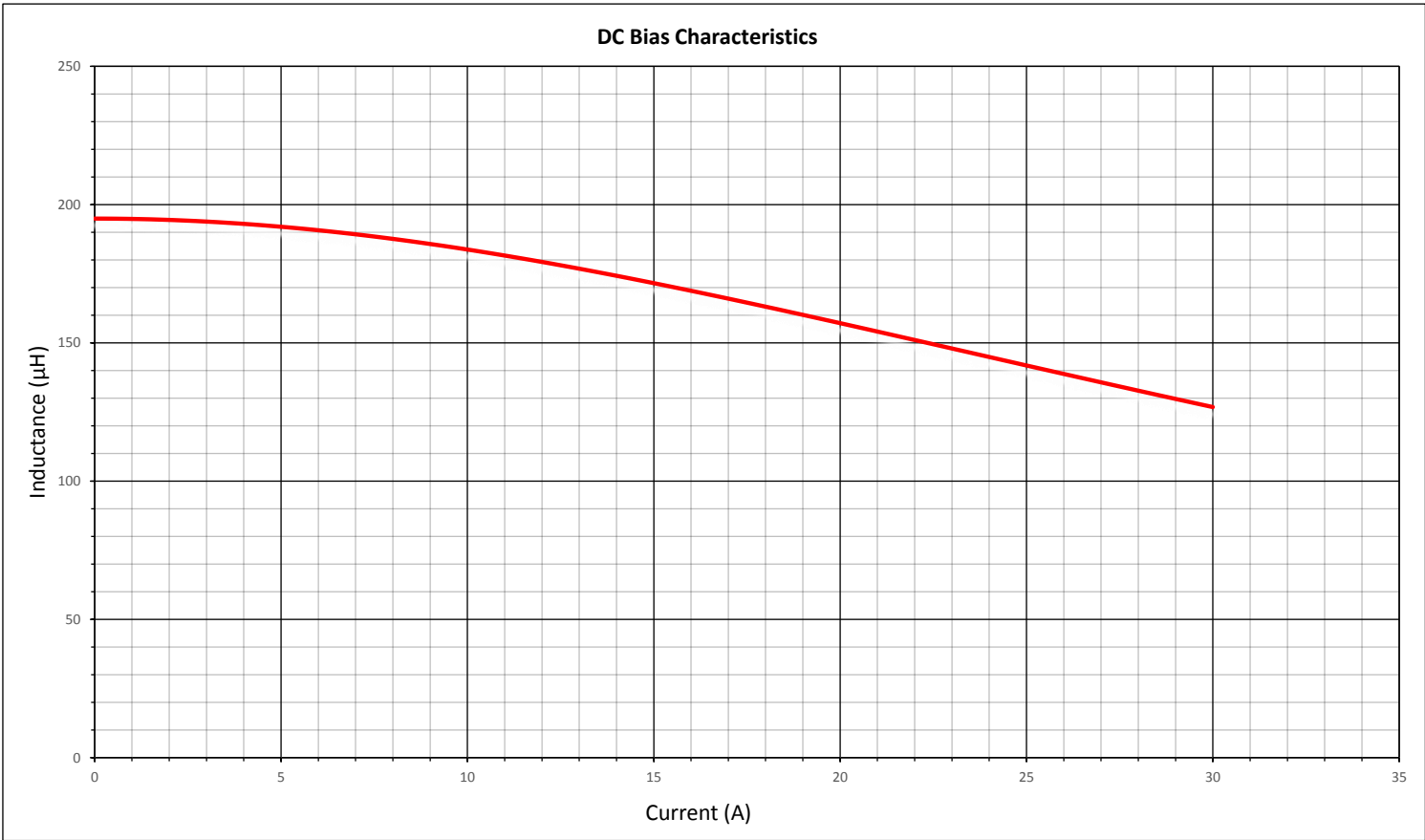
Tel: (310) 325-1043 Fax: (310) 325-1044

Description

**Power Inductor**

<b>Dimensions</b> Unless otherwise specified .XX ± .010" .XXX ± .005"	DRAWN BY: CHECKED BY:	AG AY	6-May-16 9-May-16	SIZE	Part Number	REV
				<b>A</b>	<b>P11T60-16A-191H</b>	<b>A</b>
				WEIGHT: XX gms		SHEET: 1 OF 2

Rev	Description	By	Date
A	Released for production	AG	6-May-16



**Notice of Proprietary Property**

These drawings and specifications are the property of MPS and shall not be, reproduced, copied or used as the basis of manufacture of sale of apparatus without express written authorization



**MPS INDUSTRIES, INC.**

www.mpsind.com

Tel: (310) 325-1043 Fax: (310) 325-1044

Description

**Power Inductor**

<b>Dimensions</b> Unless otherwise specified .XX ± .010" .XXX ± .005"	DRAWN BY: CHECKED BY:	AG AY	6-May-16 9-May-16	SIZE <b>A</b>	Part Number <b>P11T60-16A-191H</b>	REV <b>A</b>
	SCALE: X:X		WEIGHT: XX gms		SHEET: 2 OF 2	