

UNSHIELDED RADIAL POWER INDUCTORS



P11R41010 SERIES



- Low cost, high current
- Inductance range from 10 - 1,000 μ H
- Open construction
- Optional inductance tolerance: K = $\pm 10\%$ (add suffix letter for tolerance after the part number)
- Operating temperature range: -40oC to +85oC
- RoHS compliant product

ELECTRICAL PARAMETERS @ 25°C

| Part Number | Inductance (μ H) ($\pm 20\%$) | DCR (Ω MAX) | Rated Idc (A) |
|-------------|--|------------------------|---------------------|
| P11R41010- | | | |
| 100 | 10 | 0.022 | 5.30 |
| 120 | 12 | 0.023 | 4.90 |
| 150 | 15 | 0.026 | 4.40 |
| 180 | 18 | 0.033 | 4.00 |
| 220 | 22 | 0.037 | 3.60 |
| 270 | 27 | 0.048 | 3.30 |
| 330 | 33 | 0.055 | 2.90 |
| 390 | 39 | 0.073 | 2.70 |
| 470 | 47 | 0.083 | 2.50 |
| 560 | 56 | 0.092 | 2.30 |
| 680 | 68 | 0.12 | 2.10 |
| 820 | 82 | 0.14 | 1.90 |
| 101 | 100 | 0.16 | 1.70 |
| 121 | 120 | 0.20 | 1.50 |
| 151 | 150 | 0.23 | 1.40 |
| 181 | 180 | 0.31 | 1.30 |
| 221 | 220 | 0.34 | 1.10 |
| 271 | 270 | 0.40 | 1.00 |
| 331 | 330 | 0.52 | 0.93 |
| 391 | 390 | 0.65 | 0.86 |
| 471 | 470 | 0.71 | 0.78 |
| 561 | 560 | 1.00 | 0.71 |
| 681 | 680 | 1.10 | 0.65 |
| 821 | 820 | 1.30 | 0.59 |
| 102 | 1000 | 1.70 | 0.53 |

Note:

1. Inductance measured: 1KHz, 0.3Vrms
2. Irated: Max 10% inductance drop and/or $\Delta T=40^\circ\text{C}$ Temp Rise

Product performance is limited to specified parameters. Data is subject to change without prior notice.

Tel: 310-325-1043
Fax: 310-325-1044

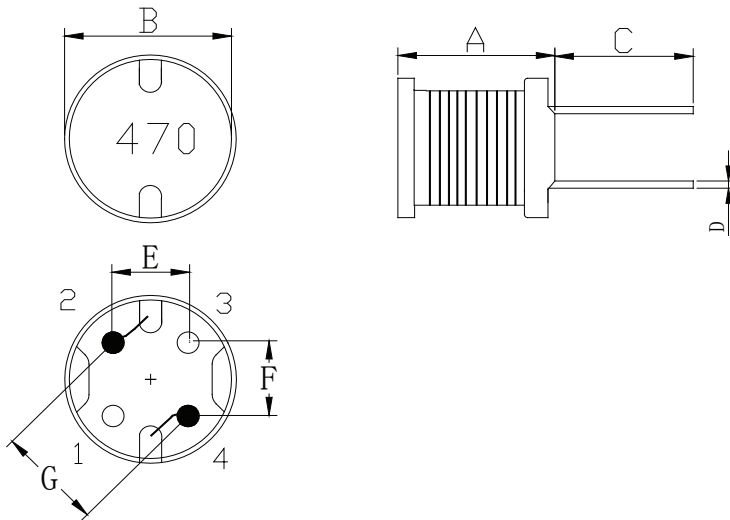
www.mpsind.com
sales@mpsind.com

UNSHIELDED RADIAL POWER INDUCTORS



P11R41010 SERIES

DIMENSIONS (mm)



A = 10.0 ± 0.5

B = 10.0 ± 0.5

C = 3.5 ± 0.5

D = 0.6 ± 0.1

E = 4.0 ± 0.5

F = 5.0 ± 0.5

G = 6.5 ± 0.4

Product performance is limited to specified parameters. Data is subject to change without prior notice.

Dimensions
Unless otherwise specified, all tolerances are:
inch: .XX : ±0.015 .XXX : ±0.004
mm: X.X : ±0.38 X,XX : ±0.10

Tel: 310-325-1043
Fax: 310-325-1044

www.mpsind.com
sales@mpsind.com