

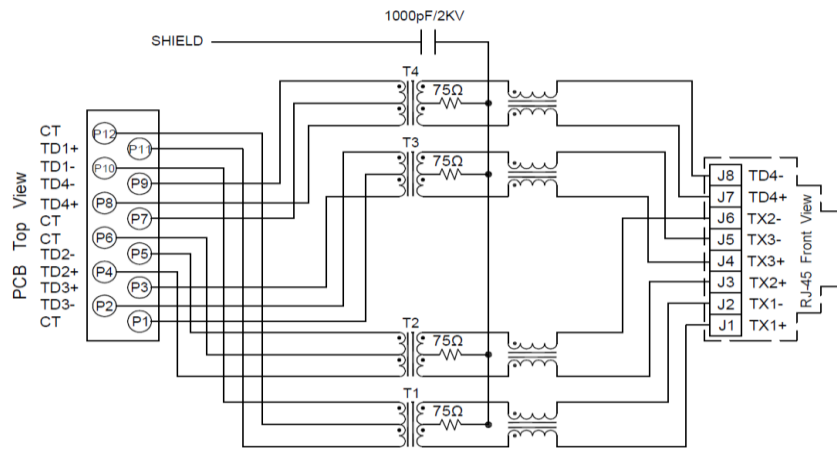
Rev	Description	By	Date
A	Released Production	TM	16-Oct-20

**ELECTRICAL SPECIFICATIONS @ 25°C**

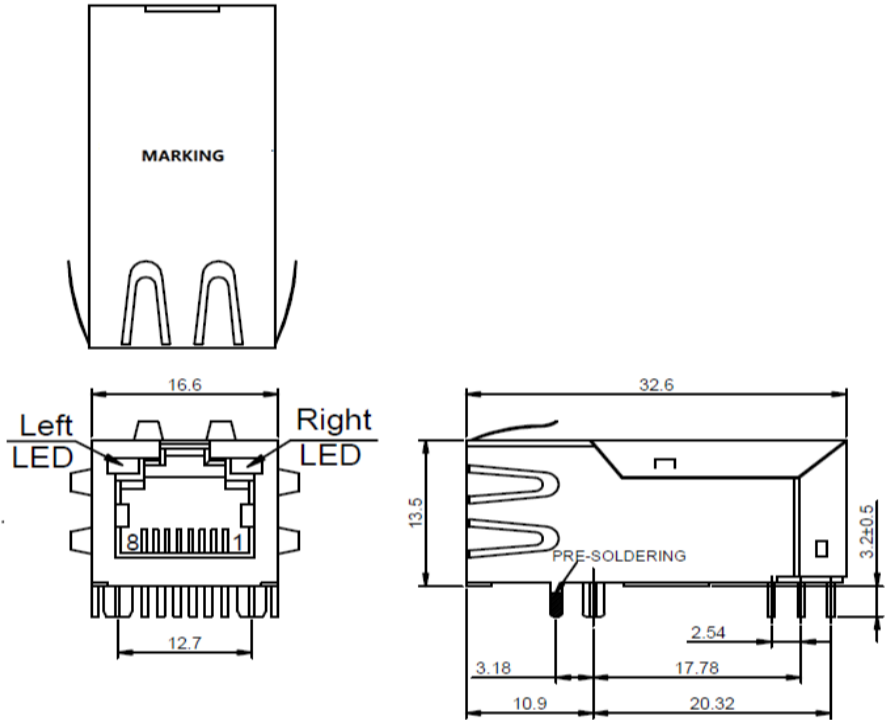
Part No	Turns Ratio	Insertion Loss (dB) Max	Return Loss (dB) Typ		Cross talk (dB) Typ		CMR (dB) Typ	
	±3%	MHz	MHz	MHz	MHz	MHz	MHz	MHz
		1-400	1-40	40-500	1-100	100-500	1-250	250-500
N5461	1CT:1CT	-2.0	-22	-4.2	-30	-20	-30	-22

Hipot (Pri to Sec): 1500Vrms/0.5mA/60Sec  
 RoHS: Yes

**SCHEMATIC**



**DIMENSIONS**



**MARKING LABEL**

N5461\_Rev  
 MPS  
 DATE CODE

Dimensions: mm

**Notice of Proprietary Property**

These drawings and specifications are the property of MPS and shall not be, reproduced, copied or used as the basis of manufacture of sale of apparatus without express written authorization

Dimensions Unless otherwise specified .XX ± .010" [0,254mm] .XX ± .005 [0,13mm]	DRAWN BY: CHECKED BY:	TM TC	16-Oct-20 23-Oct-20	SIZE <b>A</b>	Description <b>10GBase-T Single Port RJ45 Integrated Connector Module</b>	Part Number <b>N5461</b>	REV <b>A</b>
					WEIGHT: XX gms	SHEET: 1 OF 2	



**MPS INDUSTRIES, INC.**

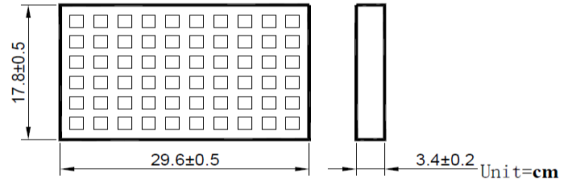
www.mpsind.com

Tel: (310) 325-1043 Fax: (310) 325-1044

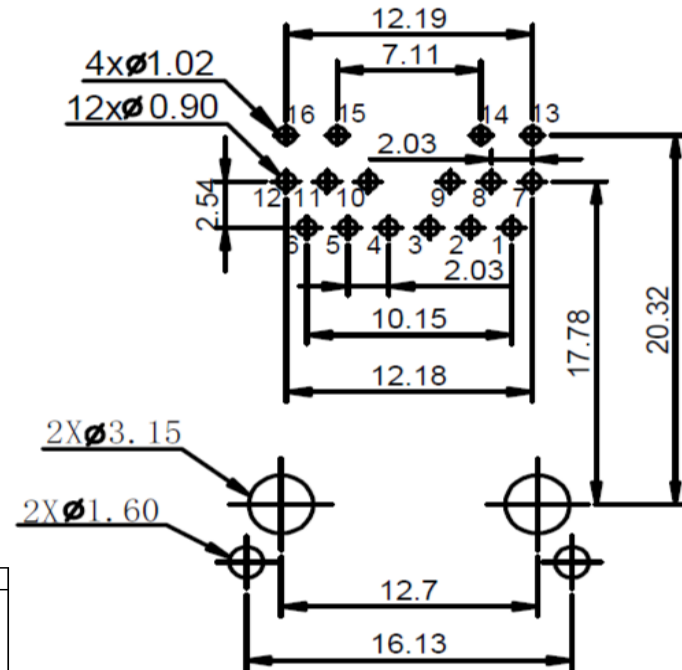
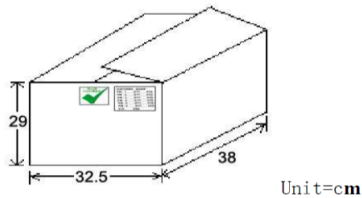
Rev	Description	By	Date
A	Released Production	TM	16-Oct-20

**PACKING INFORMATION**

1. packaging unit : 60 PCS/tray
2. packaging material : PET



3. outer carton unit: 840 pcs/ 14 Trays/box
4. Weight: 11.0kg per carton



COMPONENT SIDE VIEW  
LANDED PATTERN

**MATERIAL SPECIFICATION**

Housing	Insert	Contact	Shield	Plate (if applicable)
NYLON 66 UL94V-0 STANDARD COLOR: BLACK	QSn6.5-0.1---0.35mm Thickness PLATING(1) NICKEL PLATING(2) 100%Sn PLATING(3) GOLD (6u " )	QSn6.5-0.1---0.35mm Thickness PLATING(1) NICKEL PLATING(2) 100%Sn	BRASS H65Y PLATING NICKEL	
<b>Operating Life(MIN)</b> 750 Cycles MIN	<b>Storage Temperature</b> -40°C TO +85°C	<b>Operating Temperature</b> -40°C TO +85°C		



Standard LED	Wavelength	Forward *V(MAX)	TYP
Green	565nm	2.5v	2.2v
Yellow	585nm	2.5v	2.1v

With a forward current of 20mA

**Notice of Proprietary Property**

These drawings and specifications are the property of MPS and shall not be, reproduced, copied or used as the basis of manufacture of sale of apparatus without express written authorization

<b>Dimensions</b> Unless otherwise specified .XX ± .010" [0,254mm] .XXX ± .005 [0,13mm]	DRAWN BY: CHECKED BY:	TM TC	16-Oct-20 23-Oct-20
--	--------------------------	----------	------------------------

		<b>MPS INDUSTRIES, INC.</b> www.mpsind.com Tel: (310) 325-1043 Fax: (310) 325-1044	
Description			
<b>10GBase-T Single Port Rj45 Integrated Connector Module</b>			
Part Number	<b>N5461</b>		REV
<b>A</b>		WEIGHT: XX gms	SHEET: 2 OF 2
			<b>1</b>