

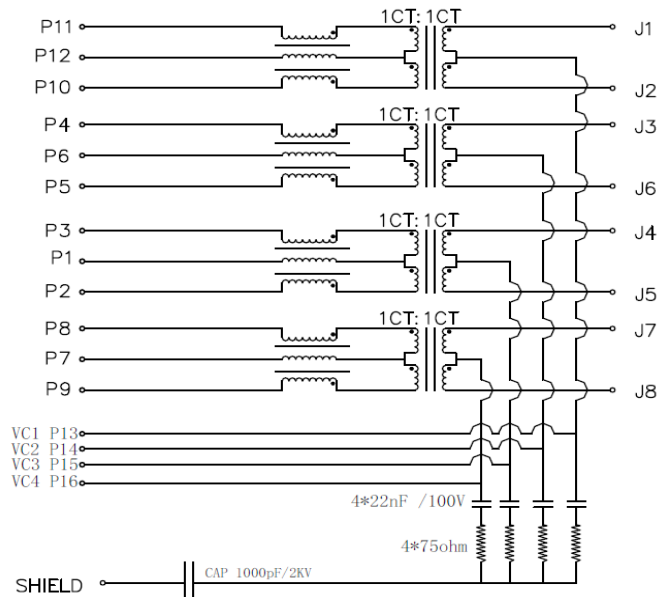
Rev	Description	By	Date
A	Released Production	TM	16-Oct-20

**ELECTRICAL SPECIFICATIONS @ 25°C**

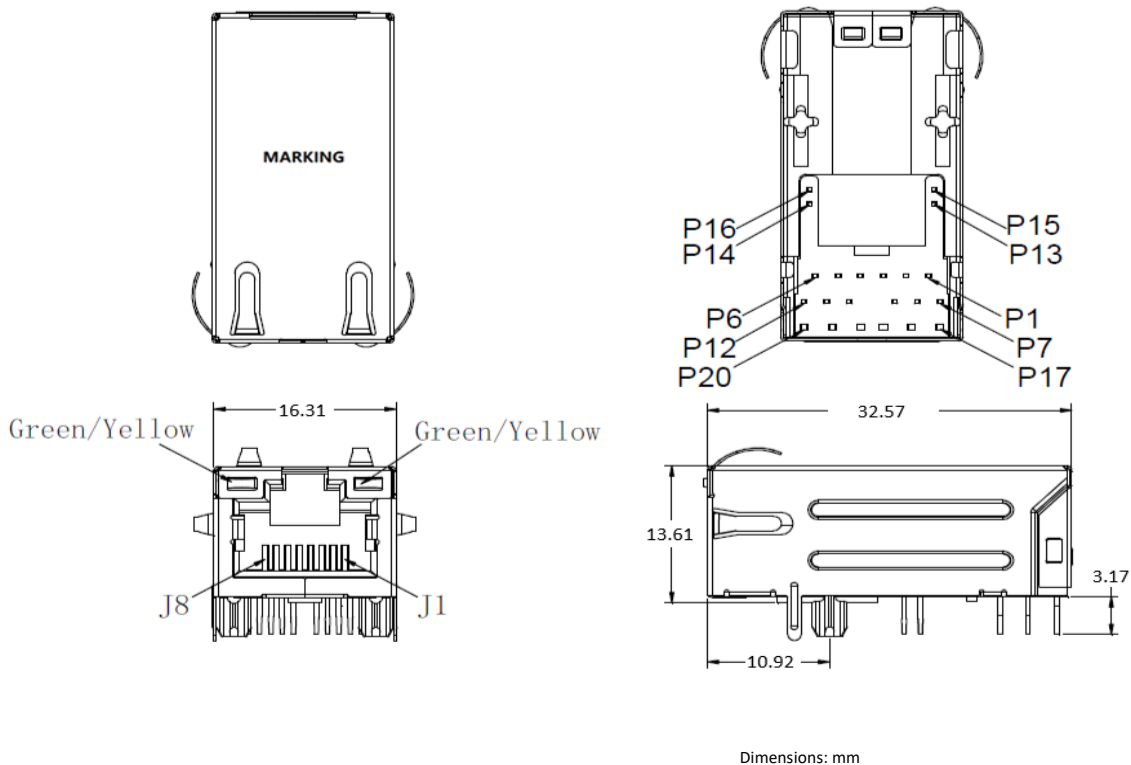
Part No	Turns Ratio ±2%	Insertion Loss (dB) Min MHz			Return Loss (dB) Min MHz		Cross talk (dB) Min MHz	CMR (dB) Min MHz			DCMR (dB) Min MHz
		1-50	50-125	125-250	1-40	40-250		1-250	1-40	40-100	
N5460	1CT:1CT	-0.5	-1.2	-2.0	-16	-8.0	-30	-30	-28	-26	-30

Inductance: 120uH MIN@ (100KHz/0.1V@19mA)  
 Inductance: 180uH MIN@(100KHz/0.1V@8mA)  
 Hipot (Pri to Sec) : 2250Vdc/0.5mA/60Sec  
 Current Carrying Capability( PIN 1-8) : 720mA MAX@57VDC CONTINUOUS  
 RoHS: Yes

**SCHEMATIC**



**DIMENSIONS**



**MARKING LABEL**

N5460\_Rev  
MPS  
DATE CODE

**Notice of Proprietary Property**

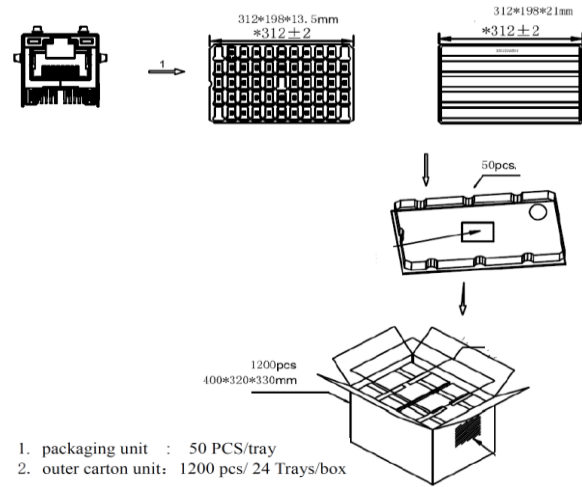
These drawings and specifications are the property of MPS and shall not be, reproduced, copied or used as the basis of manufacture of sale of apparatus without express written authorization

<b>Dimensions</b> Unless otherwise specified .XX ± .010" [0,254mm] .XXX ± .005 [0,13mm]	DRAWN BY: CHECKED BY:	TM TC	16-Oct-20 23-Oct-20	SIZE <b>A</b>
--	--------------------------	----------	------------------------	------------------

		<b>MPS INDUSTRIES, INC.</b> www.mpsind.com Tel: (310) 325-1043 Fax: (310) 325-1044	
Description		<b>RJ45 ICM (5G BASE-T POE+ 1 Port) Integrated Connector Module</b>	
Part Number	<b>N5460</b>		REV <b>A</b>
WEIGHT: XX gms		SHEET: 1 OF 2	

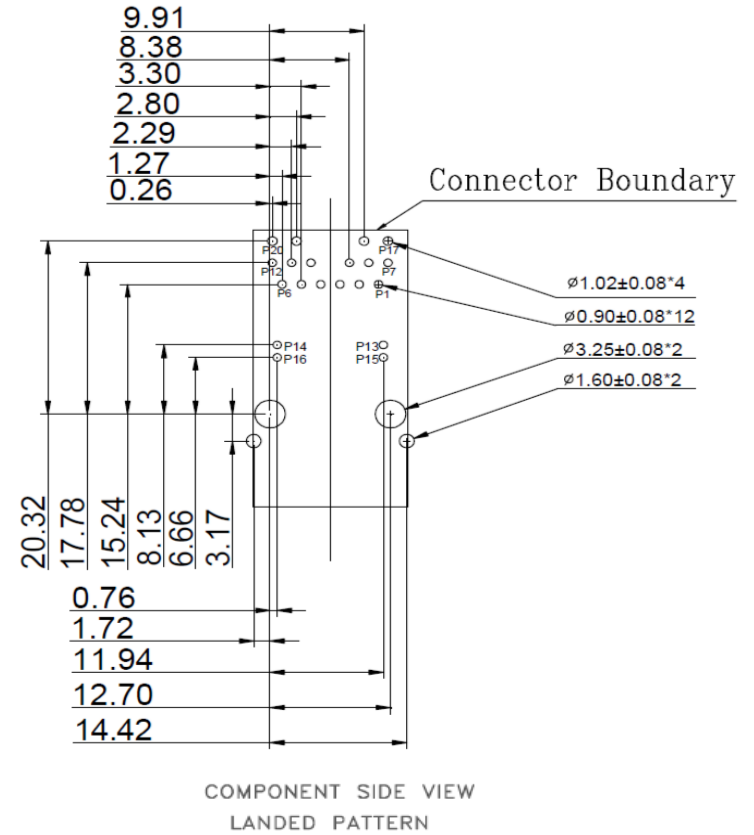
Rev	Description	By	Date
A	Released Production	TM	16-Oct-20

**PACKING INFORMATION**



**MATERIAL SPECIFICATION**

Housing	Insert	Contact	Shield	Plate (if applicable)
THERMOPLASTIC BLACK UL94 V STANDARD COLOR:BLACK		PHOSPHOR BRONZE SELECTIVE GOLD,6~50 MICRO-INCHS MIN	BRASS PLATING NICKEL	
Operating Life(MIN)	Storage Temperature	Operating Temperature		
260° C MAX,10 SECS MAX	-40°C TO +85°C	-40°C TO +85°C.		



Standard LED	Wavelength	Forward V(MAX)	TYP
Green	565nm	2.4v	2.2v
Yellow	590nm	2.5v	2.1v

With a forward current of 20mA

**Notice of Proprietary Property**

These drawings and specifications are the property of MPS and shall not be, reproduced, copied or used as the basis of manufacture of sale of apparatus without express written authorization

<b>Dimensions</b> Unless otherwise specified .XX ± .010" [0,254mm] .XXX ± .005 [0,13mm]	DRAWN BY: CHECKED BY:	TM TC	16-Oct-20 23-Oct-20	SIZE <b>A</b>
--	--------------------------	----------	------------------------	------------------



MPS INDUSTRIES, INC.

www.mpsind.com

Tel: (310) 325-1043 Fax: (310) 325-1044

Description	<b>RJ45 ICM (5G BASE-T POE+ 1 Port) Integrated Connector Module</b>	
Part Number	<b>N5460</b>	
WEIGHT: XX gms	SHEET: 2 OF 2	
REV	<b>A</b>	