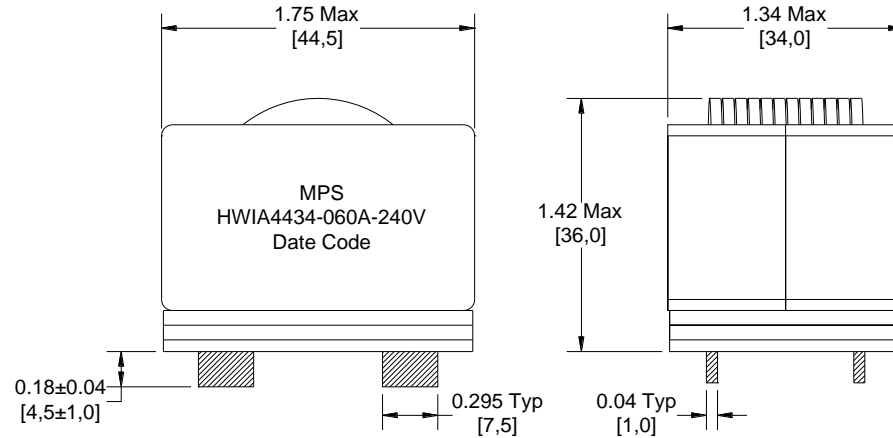


Rev	Description	By	Date
A	Released for production	AG	13-Jul-20

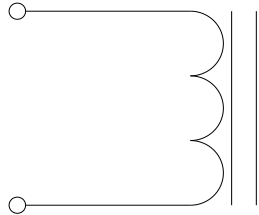
ELECTRICAL SPECIFICATIONS @ 25°C

L: 24μH±15% @ 10kHz, 1Vrms
 Isat: ΔL≤10% @ 38A
 ΔL≤30% @ 72A
 Irms: ΔT≤20°C @ 40A
 ΔT≤40°C @ 60A
 DCR: 1.9mΩ Max
 Hipot: 500Vdc, 1mA, 5s, wdg to core
 RoHS Compliant: Yes

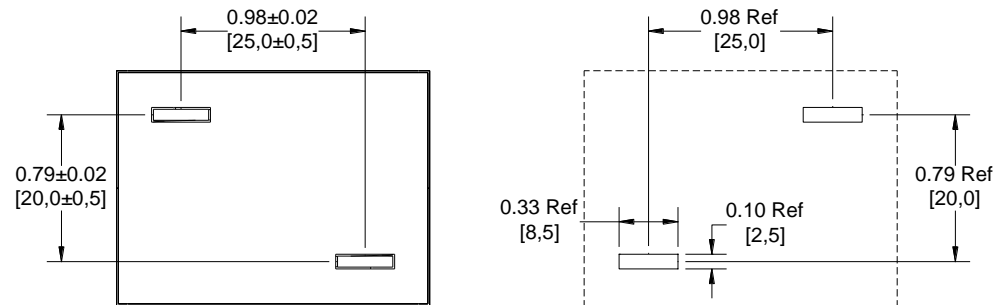
DIMENSIONS



SCHEMATIC



Recommended PCB Layout




MARKING

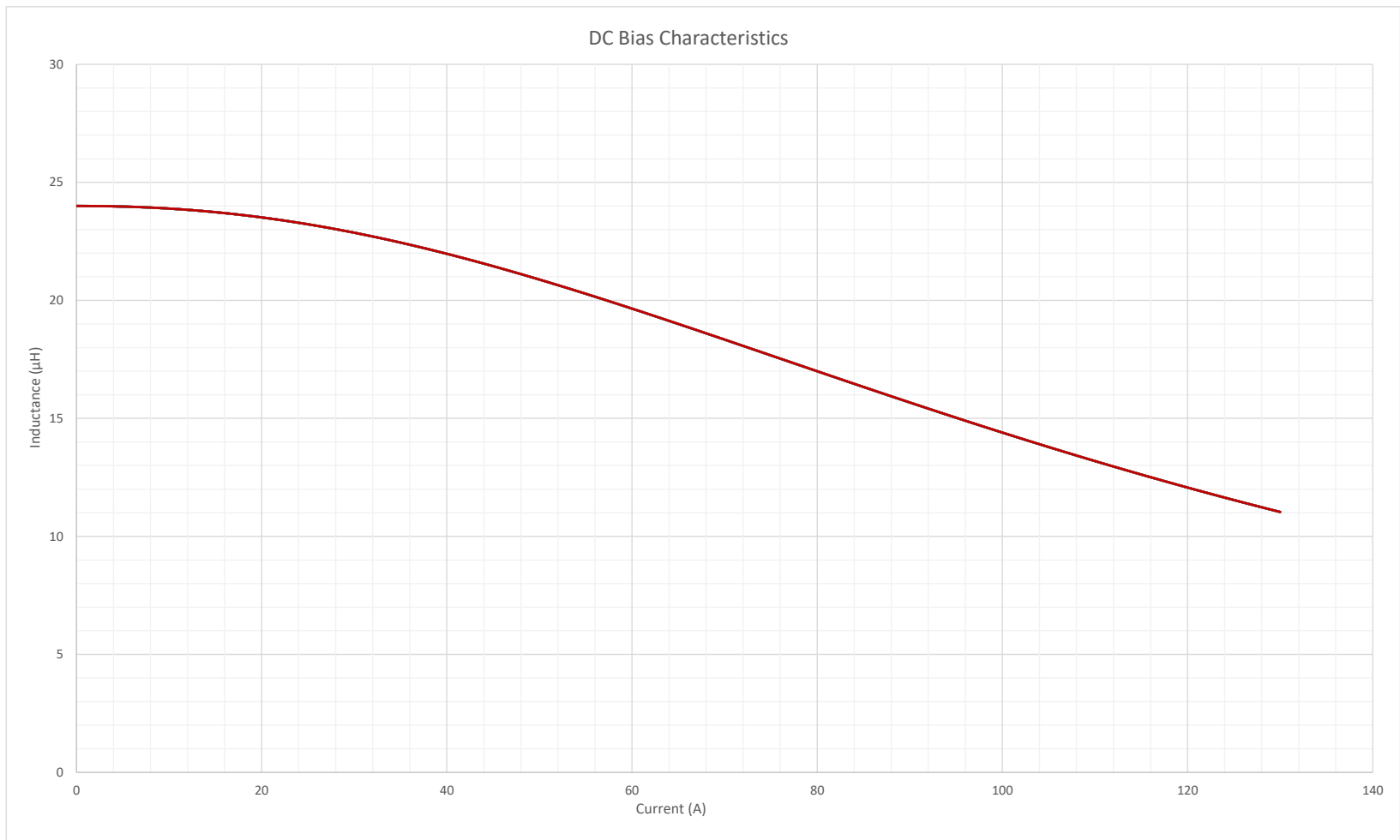
MPS
 HWIA4434-060A-240V_REV#
 Date Code

Dimensions: inch/mm

Notice of Proprietary Property These drawings and specifications are the property of MPS and shall not be reproduced, copied or used as the basis of manufacture of sale of apparatus without express written authorization			
Dimensions Unless otherwise specified .XX ± .010" [0,254mm] .XXX ± .005 [0,13mm]	DRAWN BY: CHECKED BY:	AG AY	13-Jul-20 13-Jul-20

 MPS INDUSTRIES, INC. www.mpsind.com Tel: (310) 325-1043 Fax: (310) 325-1044		Description	
		HEW Inductor	
Part Number		REV	
HWIA4434-060A-240V		A	
WEIGHT: XX gms		SHEET: 1 OF 2	

Rev	Description	By	Date
A	Released for production	AG	13-Jul-20



Notice of Proprietary Property

These drawings and specifications are the property of MPS and shall not be, reproduced, copied or used as the basis of manufacture or sale of apparatus without express written authorization

Dimensions Unless otherwise specified .XX ± .010" [0,254mm] .XXX ± .005 [0,13mm]	DRAWN BY: CHECKED BY:	AG AY	13-Jul-20 13-Jul-20
--	--------------------------	----------	------------------------



MPS INDUSTRIES, INC.
www.mpsind.com
Tel: (310) 325-1043 Fax: (310) 325-1044

Description HEW Inductor	
Part Number HWIA4434-060A-240V	REV A
WEIGHT: XX gms SHEET: 2 OF 2	