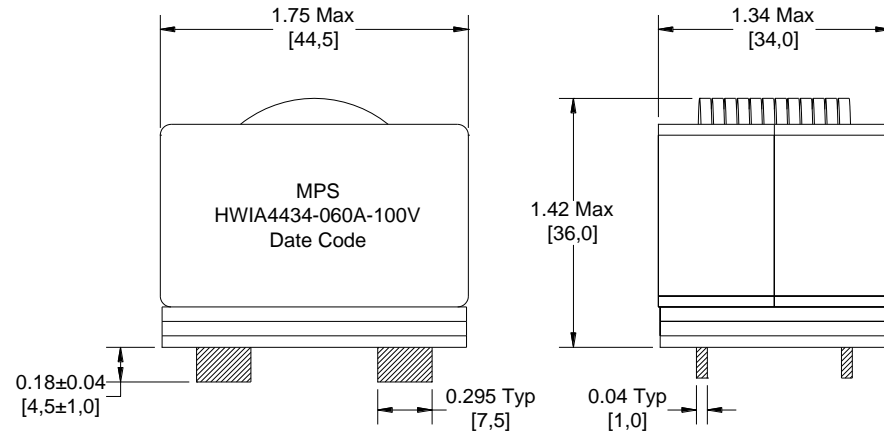


Rev	Description	By	Date
A	Released for production	AG	13-Jul-20

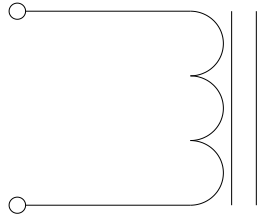
ELECTRICAL SPECIFICATIONS @ 25°C

L: 10μH±15% @ 10kHz, 1Vrms
 Isat: ΔL≤10% @ 84A
 ΔL≤30% @ 170A
 Irms: ΔT≤20°C @ 40A
 ΔT≤40°C @ 60A
 DCR: 1.9mΩ Max
 Hipot: 500Vdc, 1mA, 5s, wdg to core
 RoHS Compliant: Yes

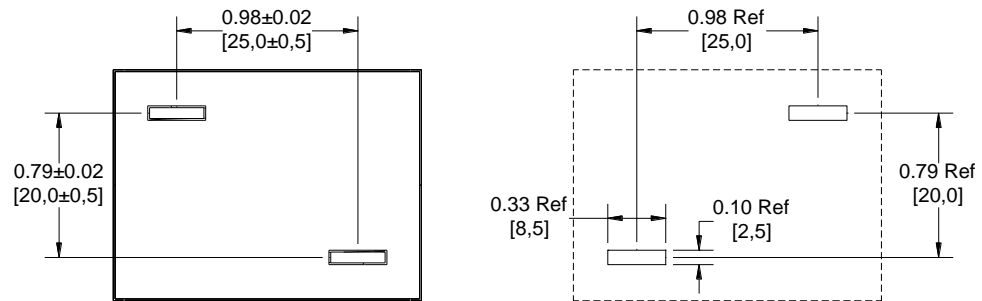
DIMENSIONS



SCHEMATIC



Recommended PCB Layout




MARKING

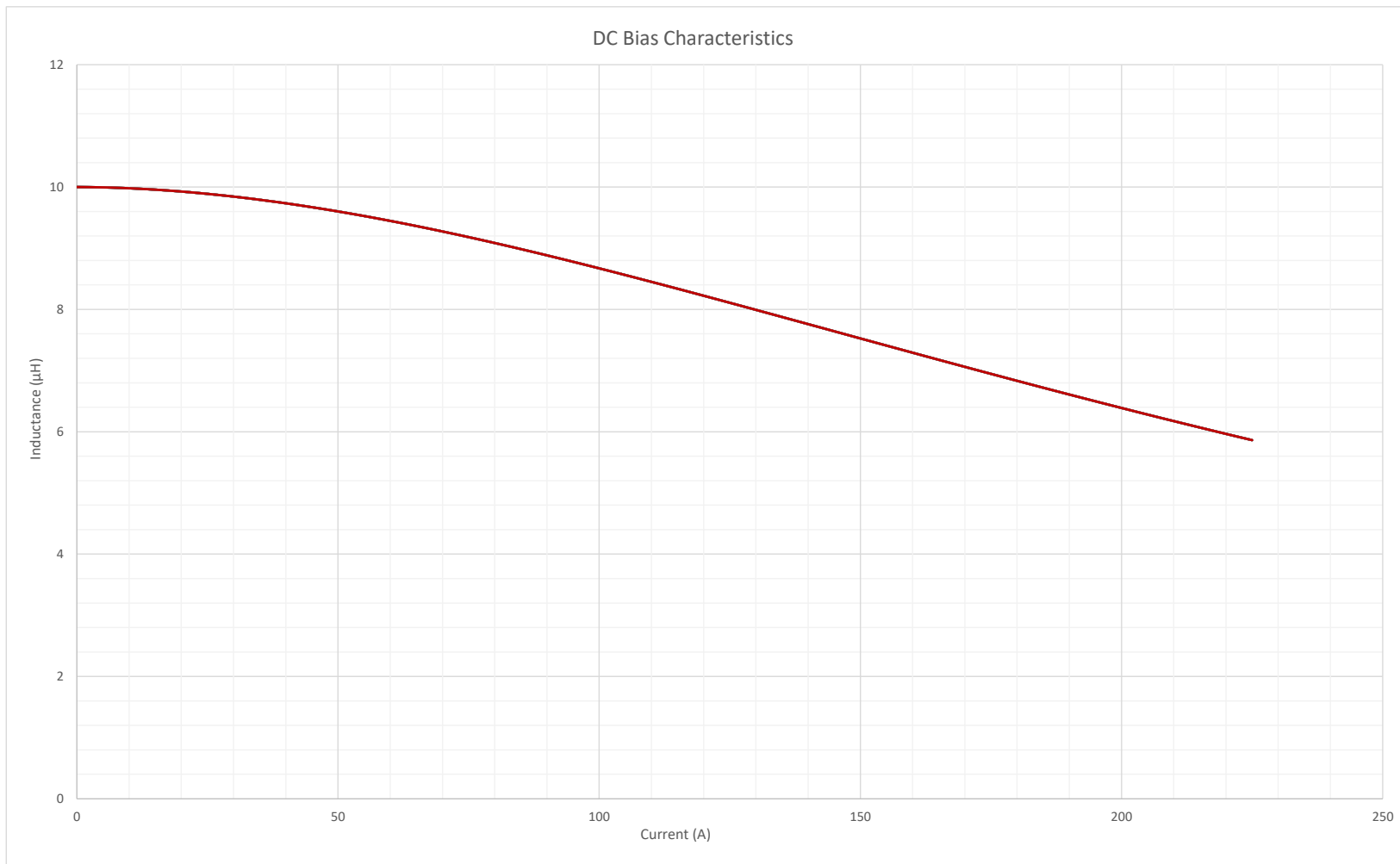
MPS
 HWIA4434-060A-100V_REV#
 Date Code

Dimensions: inch/mm


Notice of Proprietary Property These drawings and specifications are the property of MPS and shall not be reproduced, copied or used as the basis of manufacture of sale of apparatus without express written authorization			
Dimensions Unless otherwise specified .XX ± .010" [0,254mm] .XXX ± .005 [0,13mm]	DRAWN BY: CHECKED BY:	AG AY	13-Jul-20 13-Jul-20

 MPS INDUSTRIES, INC. www.mpsind.com Tel: (310) 325-1043 Fax: (310) 325-1044		Description	
		HEW Inductor	
Part Number	HWIA4434-060A-100V		REV
WEIGHT: XX gms		SHEET: 1 OF 2	

Rev	Description	By	Date
A	Released for production	AG	13-Jul-20



Notice of Proprietary Property
 These drawings and specifications are the property of MPS and shall not be, reproduced, copied or used as the basis of manufacture of sale of apparatus without express written authorization



MPS INDUSTRIES, INC.
 www.mpsind.com
 Tel: (310) 325-1043 Fax: (310) 325-1044

Description
HEW Inductor

Dimensions Unless otherwise specified .XX ± .010" [0,254mm] .XXX ± .005 [0,13mm]	DRAWN BY: CHECKED BY:	AG AY	13-Jul-20 13-Jul-20
--	--------------------------	----------	------------------------

Part Number HWIA4434-060A-100V	REV A
WEIGHT: XX gms SHEET: 2 OF 2	