

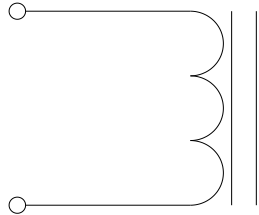
Rev	Description	By	Date
A	Released for production	AG	13-Jul-20

ELECTRICAL SPECIFICATIONS @ 25°C

L: 30μH±15% @ 10kHz, 1Vrms
 Isat: ΔL≤10% @ 46A
 ΔL≤30% @ 82A
 Irms: ΔT≤20°C @ 25A
 ΔT≤40°C @ 38A
 DCR: 4.2mΩ Max
 Hipot: 500Vdc, 1mA, 5s, wdg to core
 RoHS Compliant: Yes

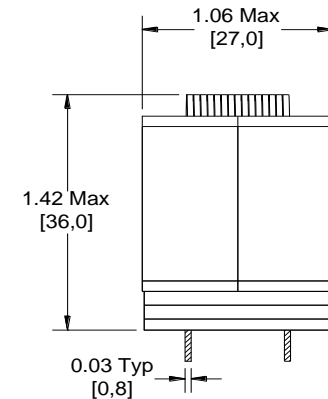
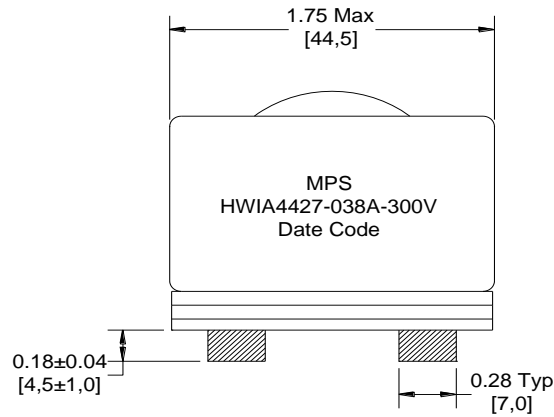
DIMENSIONS

SCHEMATIC

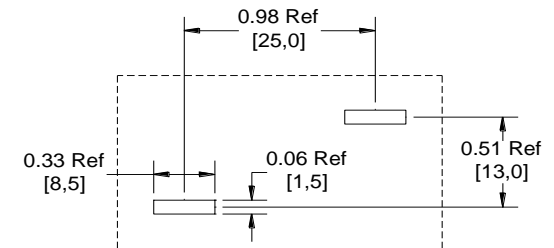
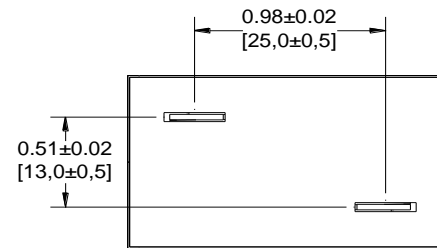


MARKING

MPS
 HWIA4427-038A-300V_REV#
 Date Code




Recommended PCB Layout

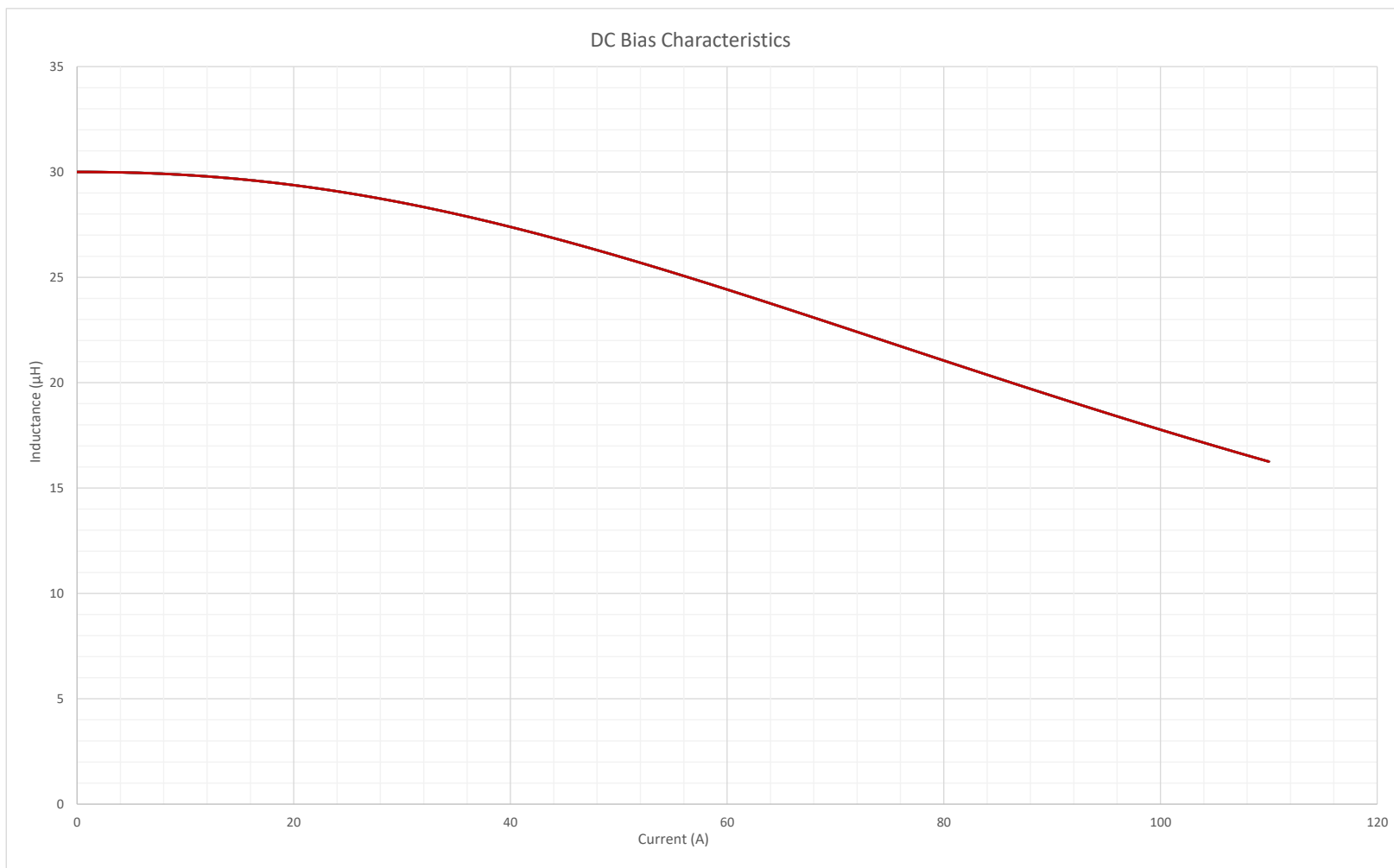


Dimensions: inch/mm

Notice of Proprietary Property These drawings and specifications are the property of MPS and shall not be reproduced, copied or used as the basis of manufacture of sale of apparatus without express written authorization			
Dimensions Unless otherwise specified .XX ± .010" [0,254mm] .XXX ± .005 [0,13mm]	DRAWN BY: CHECKED BY:	AG AY	13-Jul-20 13-Jul-20

		MPS INDUSTRIES, INC. www.mpsind.com Tel: (310) 325-1043 Fax: (310) 325-1044	
Description			
HEW Inductor			
Part Number	HWIA4427-038A-300V		REV
			A
WEIGHT: XX gms		SHEET: 1 OF 2	

Rev	Description	By	Date
A	Released for production	AG	13-Jul-20



Notice of Proprietary Property
 These drawings and specifications are the property of MPS and shall not be, reproduced, copied or used as the basis of manufacture of sale of apparatus without express written authorization



MPS INDUSTRIES, INC.
 www.mpsind.com
 Tel: (310) 325-1043 Fax: (310) 325-1044

Description		HEW Inductor	
Part Number	HWIA4427-038A-300V		REV
	A		A
WEIGHT: XX gms		SHEET: 2 OF 2	

Dimensions Unless otherwise specified .XX ± .010" [0,254mm] .XXX ± .005 [0,13mm]	DRAWN BY: CHECKED BY:	AG AY	13-Jul-20 13-Jul-20	SIZE A
--	--------------------------	----------	------------------------	------------------