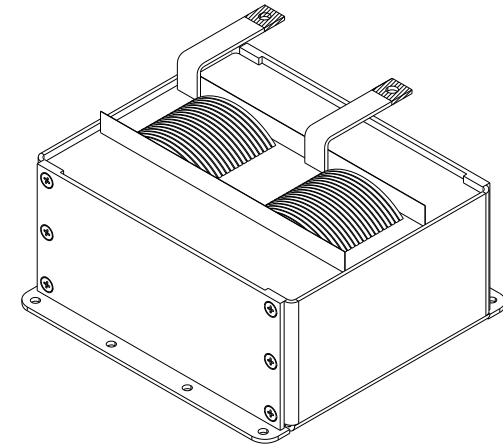
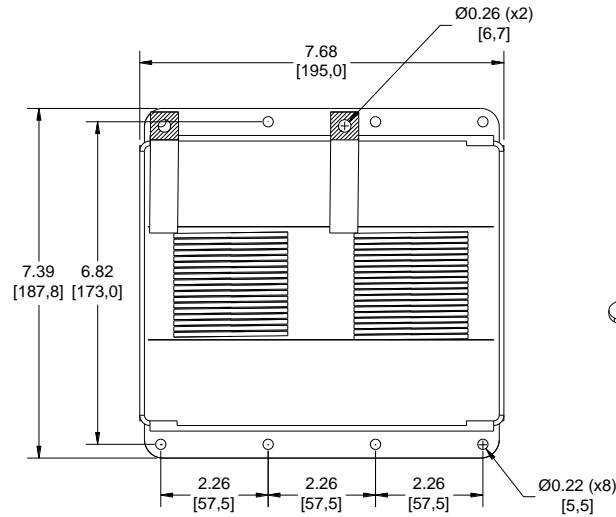


Rev	Description	By	Date
A	Released for production	AG	17-Mar-21

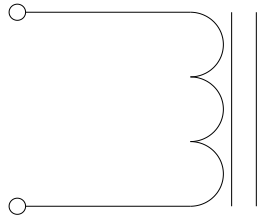
ELECTRICAL SPECIFICATIONS @ 25°C

L: 780μH±10% @ 10kHz, 1Vrms
 Isat: ΔL≤30% @ 98Adc
 DCR: 8mΩ Max
 Irms: ΔT≤40°C @ 95A
 Hipot: 2kVrms, 1mA Max, 10s (wdg to bracket)
 Operating Temp: -40°C to +150°C
 RoHS Compliant: Yes

DIMENSIONS

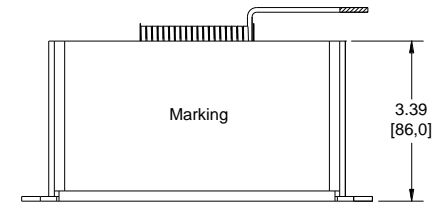
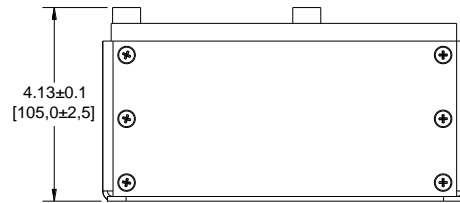


SCHEMATIC




MARKING

MPS
 HWI55P2-095A-781P_REV#
 Date Code

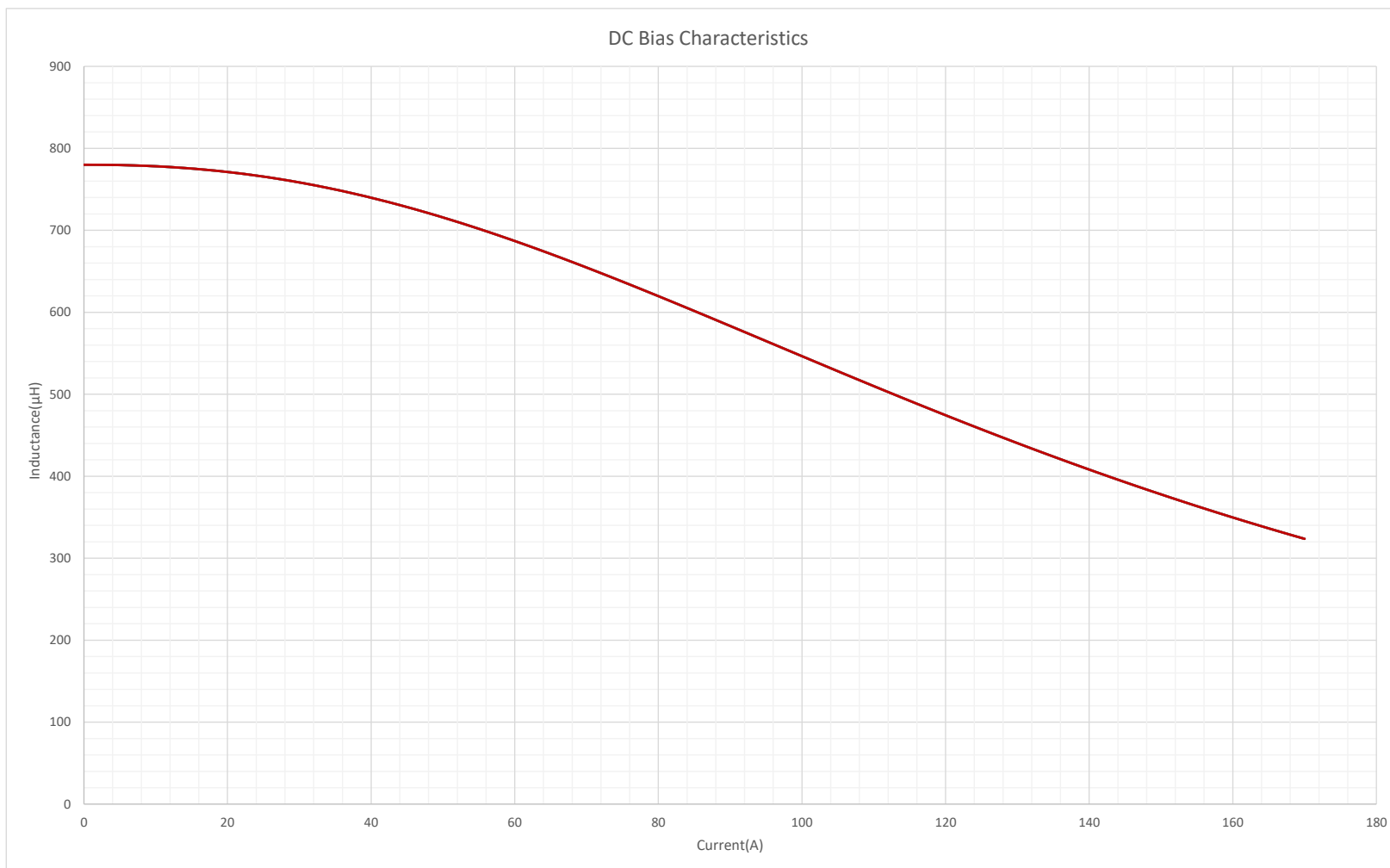


Dimensions: inch/mm

Notice of Proprietary Property These drawings and specifications are the property of MPS and shall not be, reproduced, copied or used as the basis of manufacture of sale of apparatus without express written authorization			
Dimensions Unless otherwise specified .XX ± .010" [0,254mm] .XXX ± .005 [0,13mm]	DRAWN BY: CHECKED BY:	AG AY	17-Mar-21 17-Mar-21

 MPS INDUSTRIES, INC. www.mpsind.com Tel: (310) 325-1043 Fax: (310) 325-1044		Description	
		Power Inductor	
Part Number	HWI55P2-095A-781P		REV
WEIGHT: XX gms		SHEET: 1 OF 2	

Rev	Description	By	Date
A	Released for production	AG	17-Mar-21



Notice of Proprietary Property
 These drawings and specifications are the property of MPS and shall not be, reproduced, copied or used as the basis of manufacture of sale of apparatus without express written authorization



MPS INDUSTRIES, INC.
 www.mpsind.com
 Tel: (310) 325-1043 Fax: (310) 325-1044

Description		Power Inductor	
Part Number	HWI55P2-095A-781P		REV
	WEIGHT: XX gms		A
		SHEET: 2 OF 2	

Dimensions Unless otherwise specified .XX ± .010" [0,254mm] .XXX ± .005 [0,13mm]	DRAWN BY: CHECKED BY:	AG AY	17-Mar-21 17-Mar-21	SIZE A
--	--------------------------	----------	------------------------	------------------