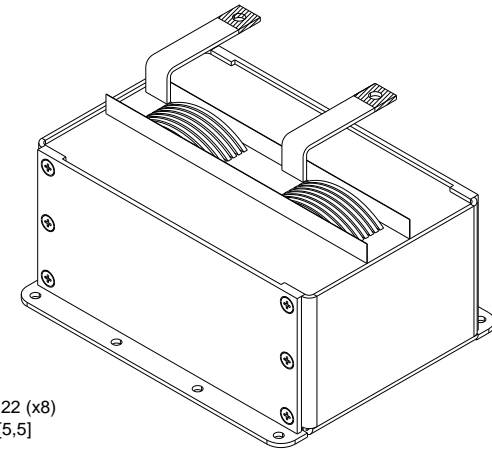
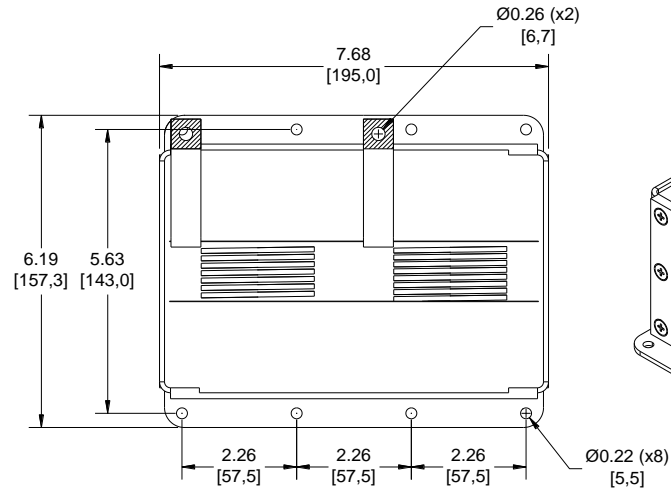


Rev	Description	By	Date
A	Released for production	AG	17-Mar-21

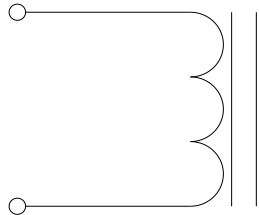
**ELECTRICAL SPECIFICATIONS @ 25°C**

L: 200µH±10% @ 10kHz, 1Vrms  
 Isat: ΔL≤30% @ 135Adc  
 DCR: 3.4mΩ Max  
 Irms: ΔT≤40°C @ 130A  
 Hipot: 2kVrms, 1mA Max, 10s (wdg to bracket)  
 Operating Temp: -40°C to +150°C  
 RoHS Compliant: Yes

**DIMENSIONS**

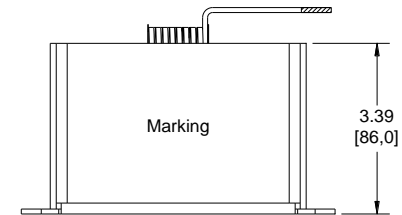
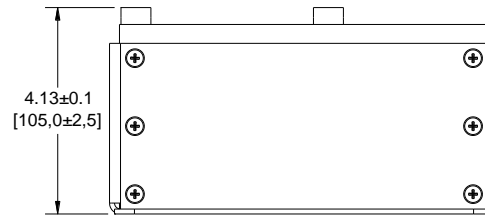


**SCHEMATIC**



**MARKING**

MPS  
 HWI55P1-130A-201P\_REV#  
 Date Code



Dimensions: inch/mm

**Notice of Proprietary Property**

These drawings and specifications are the property of MPS and shall not be, reproduced, copied or used as the basis of manufacture of sale of apparatus without express written authorization



MPS INDUSTRIES, INC.

www.mpsind.com

Tel: (310) 325-1043 Fax: (310) 325-1044

Description

**Power Inductor**

Part Number

**HWI55P1-130A-201P**

REV

**A**

**Dimensions**

Unless otherwise specified  
 .XX ± .010" [0,254mm]  
 .XXX ± .005 [0,13mm]

DRAWN BY:  
 CHECKED BY:

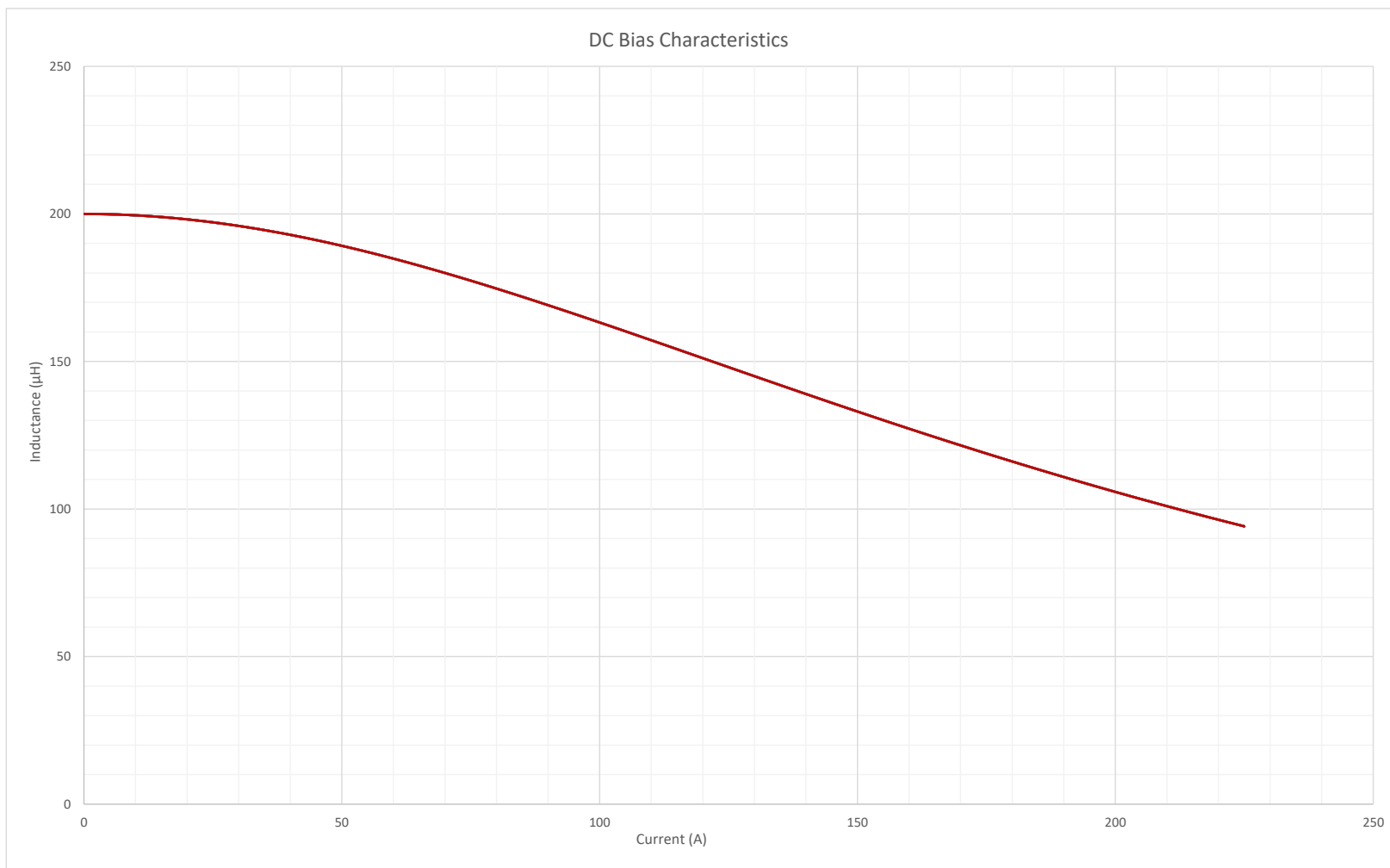
AG 17-Mar-21  
 AY 17-Mar-21

SIZE  
**A**

WEIGHT: XX gms

SHEET: 1 OF 2

Rev	Description	By	Date
A	Released for production	AG	17-Mar-21



**Notice of Proprietary Property**  
 These drawings and specifications are the property of MPS and shall not be, reproduced, copied or used as the basis of manufacture of sale of apparatus without express written authorization



**MPS INDUSTRIES, INC.**  
 www.mpsind.com  
 Tel: (310) 325-1043 Fax: (310) 325-1044

Description		<b>Power Inductor</b>	
Part Number	<b>HWI55P1-130A-201P</b>		REV
WEIGHT: XX gms		SHEET: 2 OF 2	

<b>Dimensions</b> Unless otherwise specified .XX ± .010" [0,254mm] .XXX ± .005 [0,13mm]	DRAWN BY: CHECKED BY:	AG AY	17-Mar-21 17-Mar-21	SIZE <b>A</b>
--	--------------------------	----------	------------------------	------------------