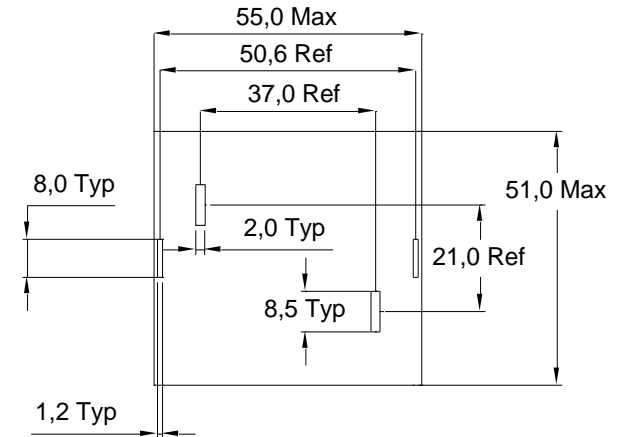
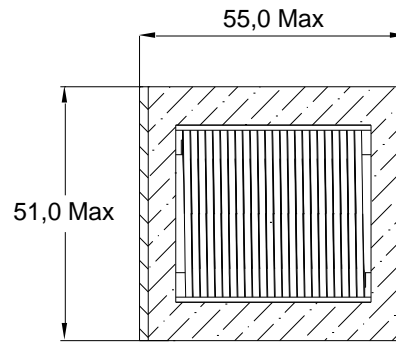


Rev	Description	By	Date
1	Preliminary	SO	7-Jul-23

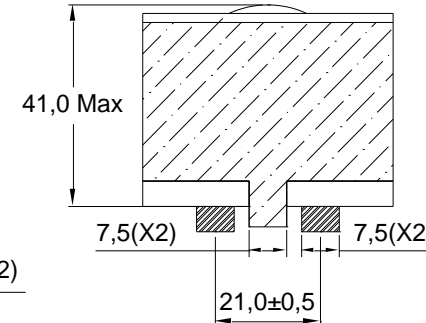
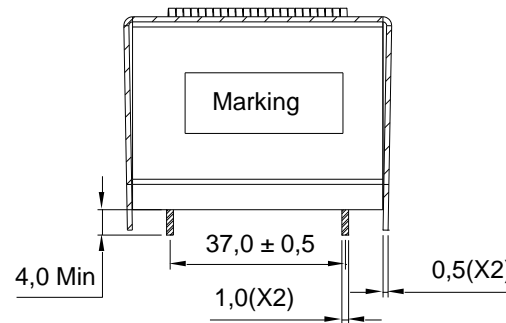
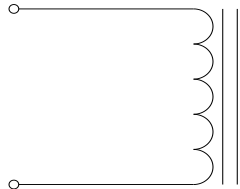
ELECTRICAL SPECIFICATIONS @ 25°C

L: 150μH±15% @ 100kHz, 1Vrms
 Isat: ΔL≤10% @ 23A
 ΔL≤20% @ 34A
 ΔL≤30% @ 44A
 Irms: ΔT≤20°C @ 27A
 ΔT≤40°C @ 41A
 DCR: 8.7mΩ Max
 SRF: 4.4MHz Typ
 Hipot: 2kVdc, 1mA Max, 10s (wdg to case)
 RoHS Compliant: Yes

DIMENSIONS
Recommended PCB Layout



SCHEMATIC




Dimensions: mm

MARKING

MPS
 HWI5252-041A-151V_Rev#
 Date Code

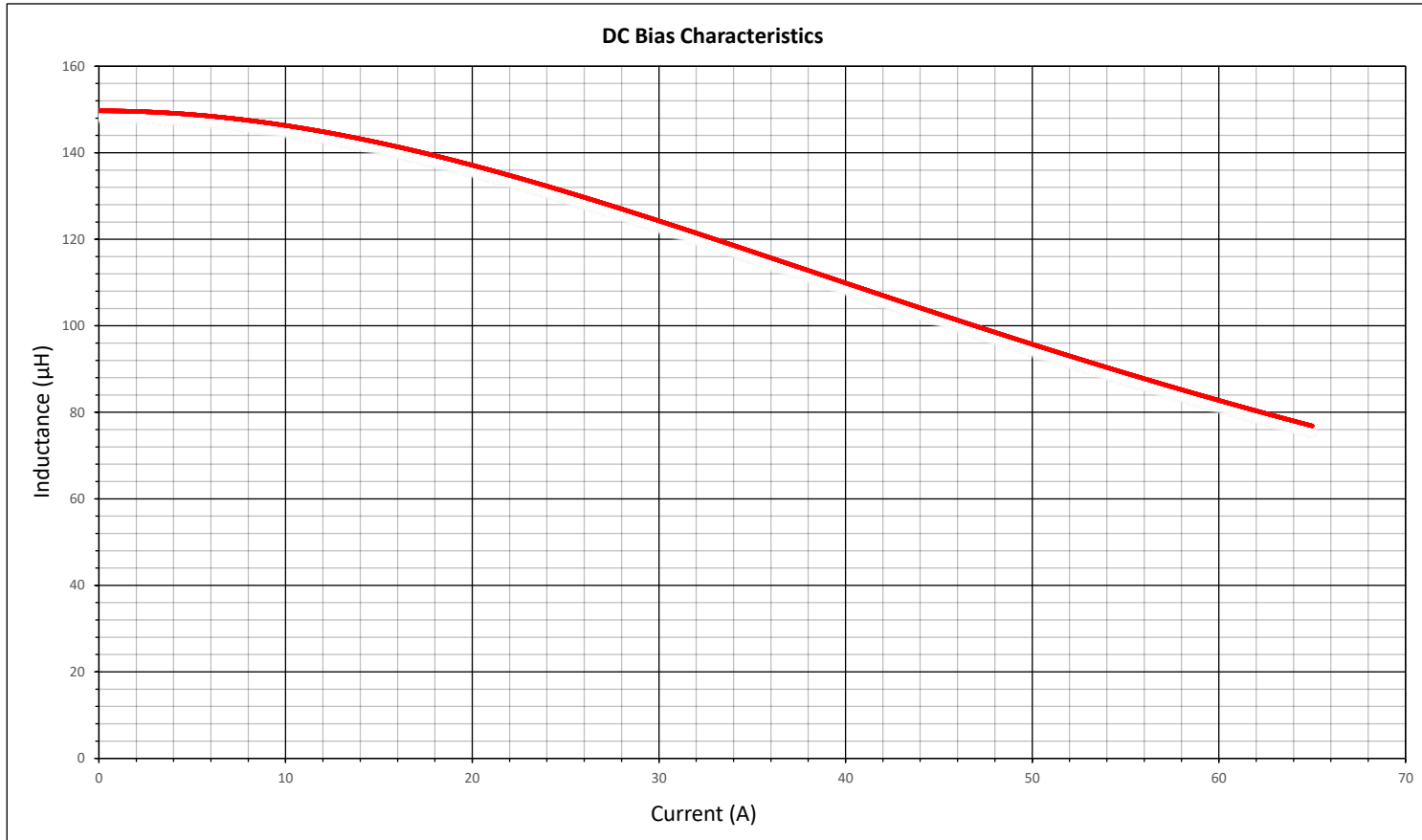
Notice of Proprietary Property
 These drawings and specifications are the property of MPS and shall not be, reproduced, copied or used as the basis of manufacture of sale of apparatus without express written authorization

Dimensions Unless otherwise specified .XX ± .010" [0,254mm] .XXX ± .005" [0,13mm]	DRAWN BY: CHECKED BY:	SO SO	16-Aug-23 16-Aug-23	SIZE A
---	--------------------------	----------	------------------------	------------------

 MPS INDUSTRIES, INC. www.mpsind.com Tel: (310) 325-1043 Fax: (310) 325-1044		Description	
		High Power Inductor	
Part Number		REV	
HWI5252-041A-151V		1	
WEIGHT: xx gms		SHEET: 1 OF 2	

Rev	Description	By	Date
1	Preliminary	SO	7-Jul-23

DC BIAS




Notice of Proprietary Property
 These drawings and specifications are the property of MPS and shall not be, reproduced, copied or used as the basis of manufacture of sale of ap AG without express written authorization

Dimensions
 Unless otherwise specified
 .XX ± .010" [0,254mm]
 .XXX ± .005" [0,13mm]

DRAWN BY:
 CHECKED BY:

SO 16-Aug-23
 SO 16-Aug-23

7/21/2017
 7/21/2017
A

		MPS INDUSTRIES, INC. www.mpsind.com Tel: (310) 325-1043 Fax: (310) 325-1044	
		Description <p style="text-align: center;">High Power Inductor</p>	
Part Number <p style="text-align: center;">HWI5252-041A-151V</p>		REV <p style="text-align: center;">1</p>	
SCALE: X:X		WEIGHT: 800 gms SHEET: 2 OF 2	