

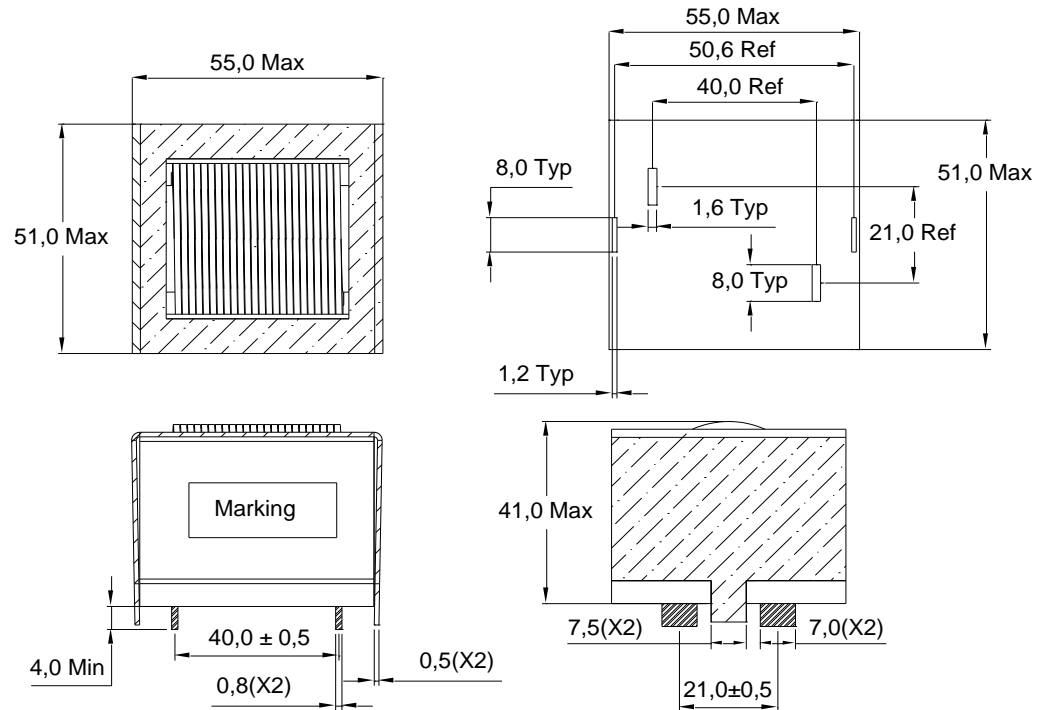
Rev	Description	By	Date
1	Preliminary	SO	7-Jul-23

ELECTRICAL SPECIFICATIONS @ 25°C

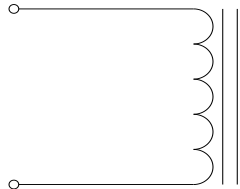
L: 244μH±15% @ 100kHz, 1Vrms
 Isat: ΔL≤10% @ 17.5A
 ΔL≤20% @ 26.5A
 ΔL≤30% @ 34.5A
 Irms: ΔT≤20°C @ 23.5A
 ΔT≤40°C @ 35.5A
 DCR: 12mΩ Max
 Hipot: 2kVdc, 1mA Max, 10s (wdg to case)
 Insulation Class: Class H, 180°C Min
 RoHS Compliant: Yes

DIMENSIONS

Recommended PCB Layout



SCHEMATIC



MARKING

MPS
 HWI5252-035A-241V_Rev#
 Date Code

Dimensions: mm

Notice of Proprietary Property

These drawings and specifications are the property of MPS and shall not be, reproduced, copied or used as the basis of manufacture of sale of apparatus without express written authorization



MPS INDUSTRIES, INC.

www.mpsind.com

Tel: (310) 325-1043 Fax: (310) 325-1044

Description

High Power Inductor

Part Number

HWI5252-035A-241V

REV

1

Dimensions

Unless otherwise specified
 .XX ± .010" [0,254mm]
 .XXX ± .005" [0,13mm]

DRAWN BY:

CHECKED BY:

SO

SO

7-Jul-23

7-Jul-23

SIZE

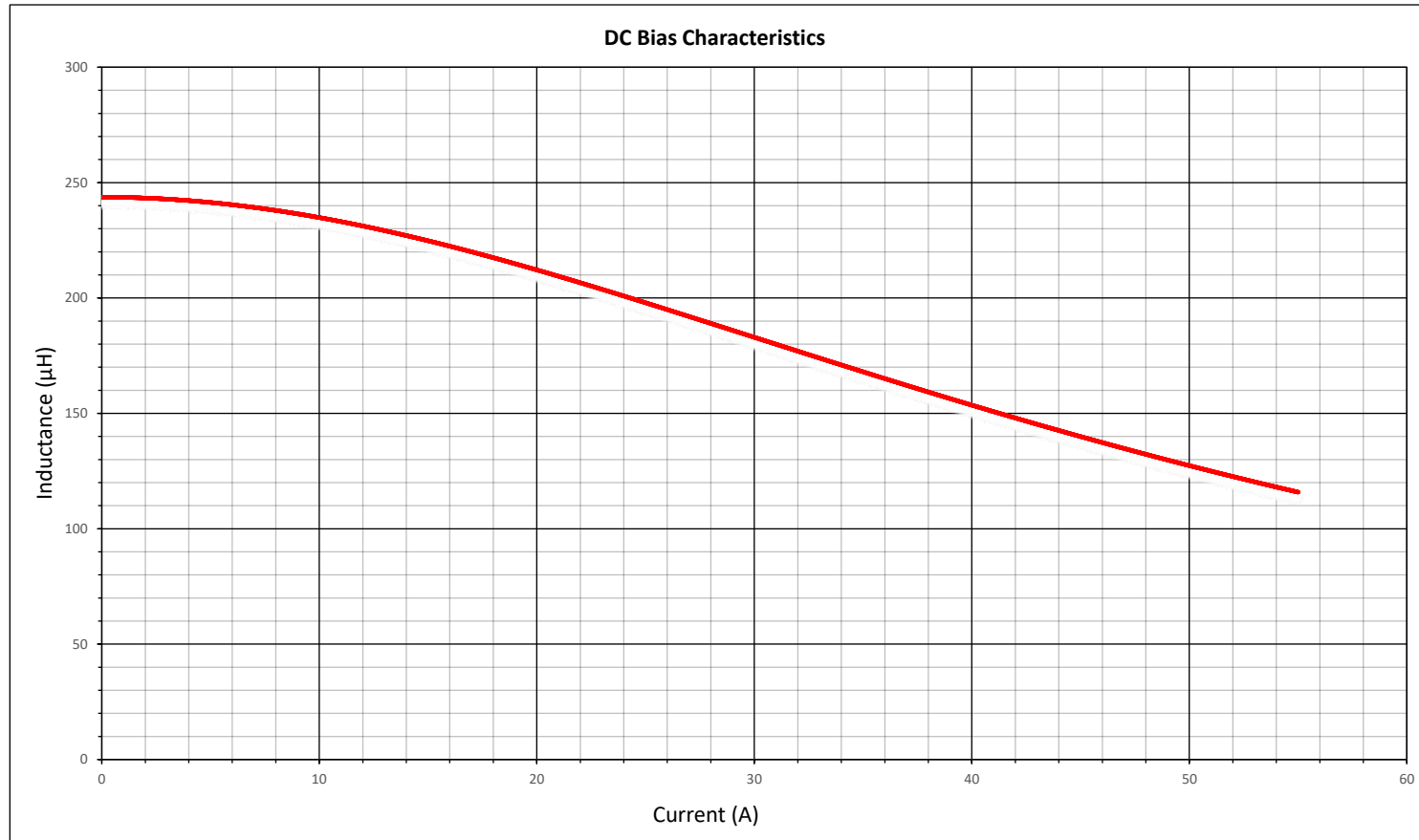
A

WEIGHT: xx gms

SHEET: 1 OF 2

Rev	Description	By	Date
1	Preliminary	SO	7-Jul-23

DC BIAS



Notice of Proprietary Property
 These drawings and specifications are the property of MPS and shall not be, reproduced, copied or used as the basis of manufacture of sale of ap AG without express written authorization


Dimensions
 Unless otherwise specified
 .XX ± .010" [0,254mm]
 .XXX ± .005" [0,13mm]

DRAWN BY:
 CHECKED BY:

SO
 SO

7-Jul-23
 7-Jul-23

SIZE
A

		MPS INDUSTRIES, INC. www.mpsind.com Tel: (310) 325-1043 Fax: (310) 325-1044	
		Description <p style="text-align: center;">High Power Inductor</p>	
Part Number <p style="text-align: center;">HWI5252-035A-241V</p>		REV <p style="text-align: center;">1</p>	
SCALE: X:X		WEIGHT: 800 gms SHEET: 2 OF 2	