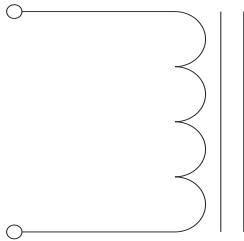


Rev	Description	By	Date
B	Released for Production	MIG	17-Mar-16
C	Corrected pin dimension and DC bias graph	AG	21-Sep-20

### ELECTRICAL SPECIFICATIONS @ 25°C

L:	3.6±15% @ 10kHz, 1Vrms
Isat:	ΔL≤10% @ 143A ΔL≤30% @ 295A
Irms:	ΔT ≤ 20°C @ 66A ΔT ≤ 40°C @ 100A
DCR:	0.7mΩ Max
Hipot:	500Vdc, 1mA, 5s, wdg to core
Insulation Class:	Class H 180°C
RoHS Compliant:	Yes

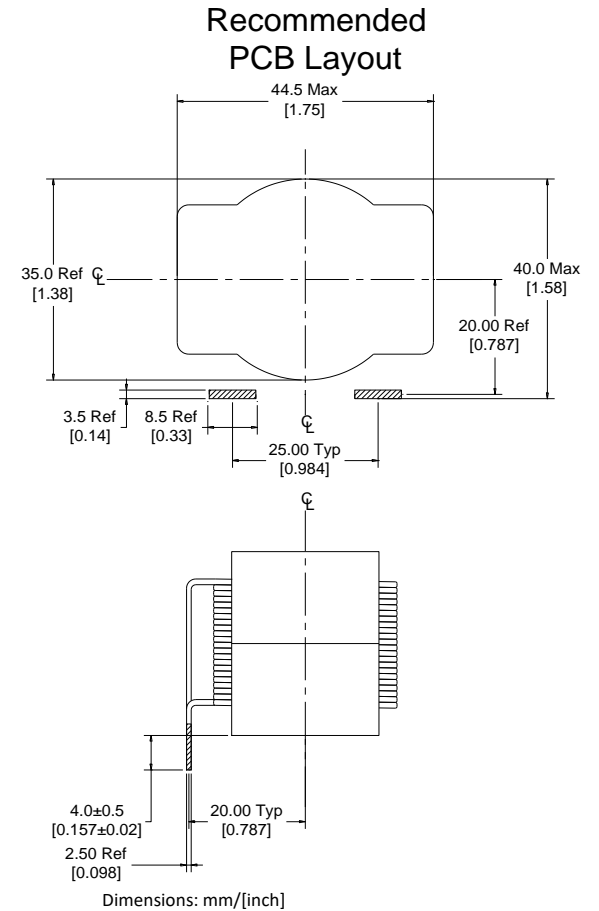
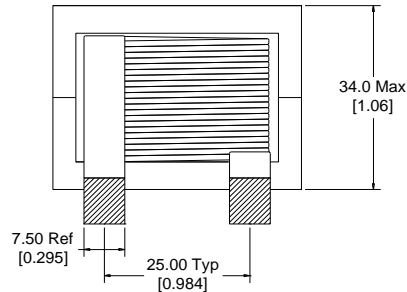
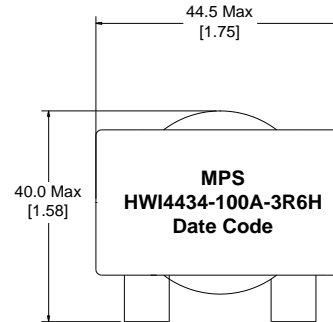
### SCHEMATIC



### MARKING

MPS  
HWI4434-100A-3R6H\_REV#  
Date Code

### DIMENSIONS



#### Notice of Proprietary Property

These drawings and specifications are the property of MPS and shall not be, reproduced, copied or used as the basis of manufacture of sale of apparatus without express written authorization

<b>Dimensions</b> Unless otherwise specified .XX ± 0.254mm [.010"] .XXX ± 0.13mm [.005"]	DRAWN BY: CHECKED BY:	MIG KC	17-Mar-16 18-Mar-16	SIZE <b>A</b>
---	--------------------------	-----------	------------------------	------------------



MPS INDUSTRIES, INC.

[www.mpsind.com](http://www.mpsind.com)

Tel: (310) 325-1043 Fax: (310) 325-1044

Description

**Helical Wound Inductor**

Part Number

**HWI4434-100A-3R6H**

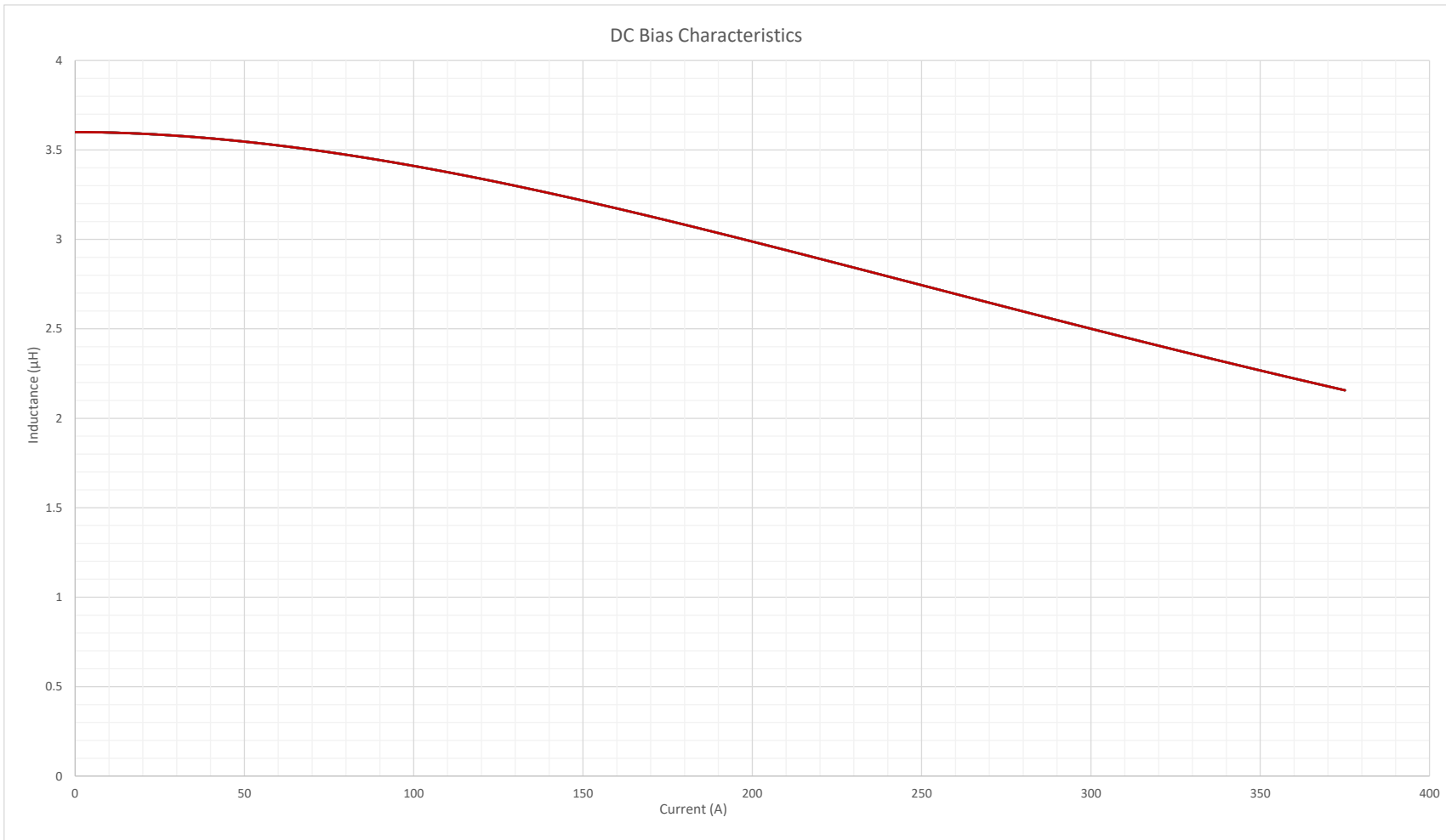
REV

**C**

WEIGHT: 250 gms

SHEET: 1 OF 2

Rev	Description	By	Date
B	Released for Production	MIG	17-Mar-16
C	Corrected pin dimension and DC bias graph	AG	21-Sep-20



**Notice of Proprietary Property**

These drawings and specifications are the property of MPS and shall not be reproduced, copied or used as the basis of manufacture or sale of apparatus without express written authorization



**MPS INDUSTRIES, INC.**

www.mpsind.com

Tel: (310) 325-1043 Fax: (310) 325-1044

Description

**Helical Wound Inductor**

**Dimensions**  
 Unless otherwise specified  
 .XX ± 0.254mm [.010"]  
 .XXX ± 0.13mm [.005"]

DRAWN BY:  
 CHECKED BY:

MIG  
 KC

17-Mar-16  
 18-Mar-16

SIZE  
**A**

Part Number

**HWI4434-100A-3R6H**

REV

**C**

SCALE: X:X

WEIGHT: 250 gms

SHEET: 2 OF 2