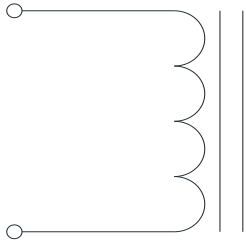


Rev	Description	By	Date
C	Updated pinout dimension to 35mm	AG	8-Apr-20
D	Corrected pin dimension and DC bias graph	AG	21-Sep-20

ELECTRICAL SPECIFICATIONS @ 25°C

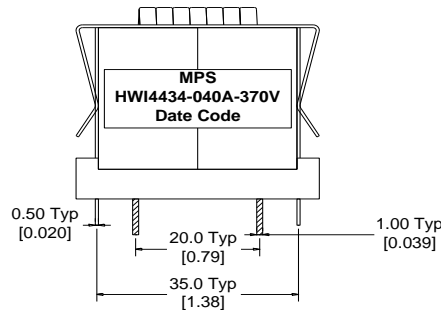
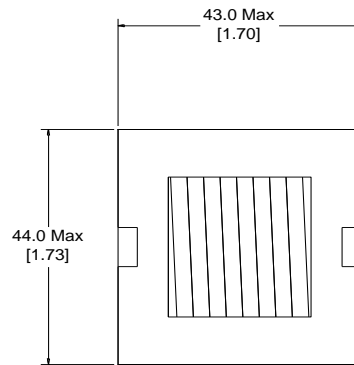
L: 37μH±15% @ 10kHz, 1Vrms
 Isat: ΔL ≤ 10% @ 45A
 ΔL ≤ 30% @ 81A
 Irms: ΔT ≤ 20°C @ 26A
 ΔT ≤ 40°C @ 40 A
 DCR: 4.5mΩ Max
 Hipot: 500Vdc, 1mA Max, 5s, wdg to core
 Insulation Class: Class H 180°C
 RoHS Compliant: Yes

SCHEMATIC



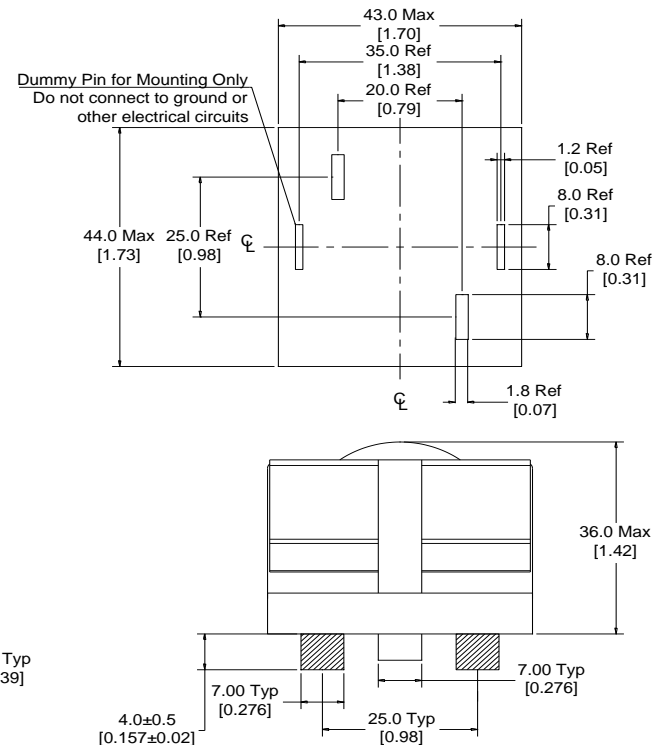
MARKING

MPS
 HWI4434-040A-370V_REV#
 Date Code



DIMENSIONS

Recommended PCB Layout



Dimensions: mm/[inch]

Notice of Proprietary Property

These drawings and specifications are the property of MPS and shall not be, reproduced, copied or used as the basis of manufacture of sale of apparatus without express written authorization

Dimensions Unless otherwise specified .XX ± 0.254mm [.010"] .XXX ± 0.13mm [.005"]		DRAWN BY: CHECKED BY:	MIG KC	17-Mar-16 18-Mar-16	SIZE A	Part Number HWI4434-040A-370V WEIGHT: 260 gms	REV D
---	--	--------------------------	-----------	------------------------	------------------	--	-----------------



MPS INDUSTRIES, INC.

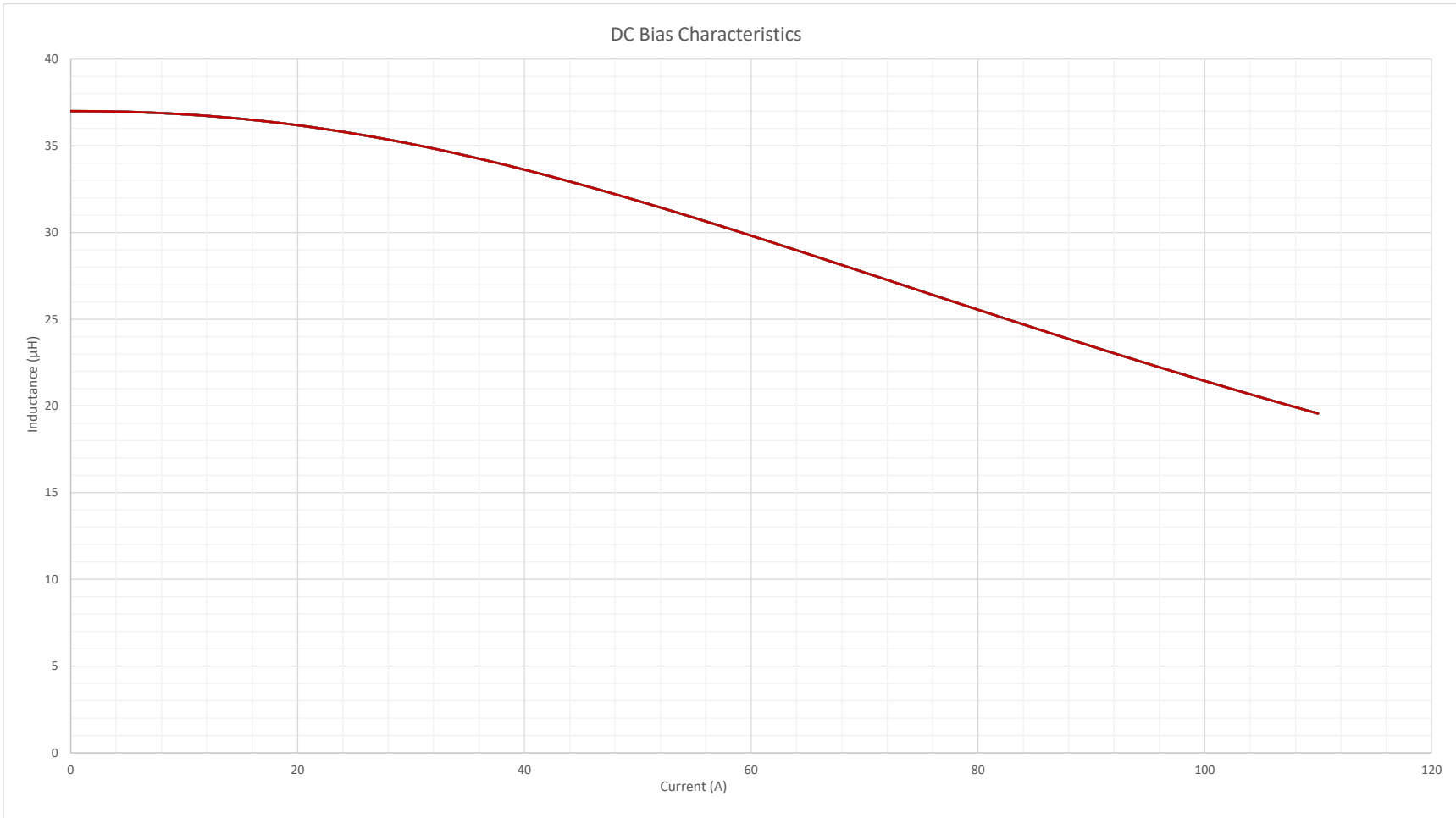
www.mpsind.com

Tel: (310) 325-1043 Fax: (310) 325-1044

Description

Helical Wound Inductor

Rev	Description	By	Date
C	Updated pinout dimension to 35mm	AG	8-Apr-20
D	Corrected pin dimension and DC bias graph	AG	21-Sep-20



Notice of Proprietary Property

These drawings and specifications are the property of MPS and shall not be, reproduced, copied or used as the basis of manufacture of sale of apparatus without express written authorization



MPS INDUSTRIES, INC.

www.mpsind.com

Tel: (310) 325-1043 Fax: (310) 325-1044

Description

Helical Wound Inductor

Dimensions
 Unless otherwise specified
 .XX ± 0.254mm [.010"]
 .XXX ± 0.13mm [.005"]

DRAWN BY:
 CHECKED BY:

MIG
 KC
 17-Mar-16
 18-Mar-16

SIZE
A

Part Number

HWI4434-040A-370V

REV

D

SCALE: X:X

WEIGHT: 260 gms

SHEET: 2 OF 2