

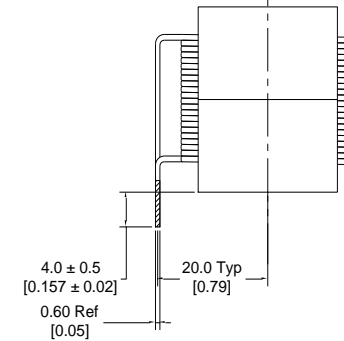
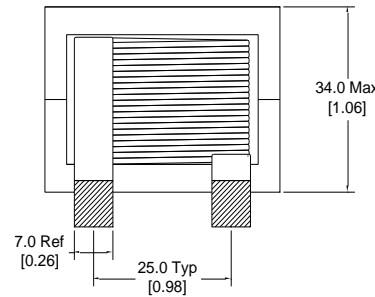
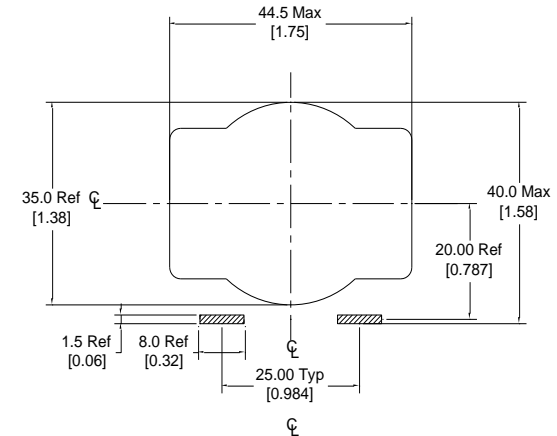
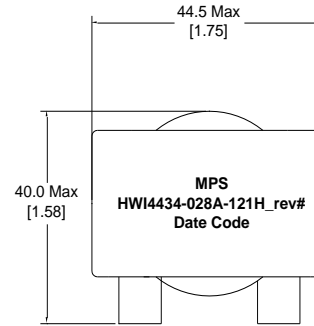
Rev	Description	By	Date
1	Preliminary	SO	7-Jun-23

### ELECTRICAL SPECIFICATIONS @ 25°C

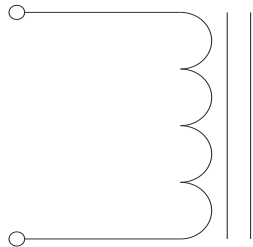
L:	125μH±15% @ 10kHz, 1Vrms
Isat:	ΔL ≤ 15% @18A ΔL ≤ 30% @31A
Irms:	ΔT ≤ 20°C @ 17A ΔT ≤ 40°C @ 28A
DCR:	10.0mΩ Max
Hipot:	2000Vdc, 1mA Max, 5s, wdg to core
Insulation Class:	Class H 180°C
RoHS Compliant:	Yes

### DIMENSIONS

#### Recommended PCB Layout



### SCHEMATIC



### MARKING

MPS  
HWI4434-028A-121H\_REV#  
Date Code

Dimensions: mm/[inch]

#### Notice of Proprietary Property

These drawings and specifications are the property of MPS and shall not be, reproduced, copied or used as the basis of manufacture of sale of apparatus without express written authorization

<b>Dimensions</b> Unless otherwise specified .XX ± 0.254mm [.010"] .XXX ± 0.13mm [.005"]	DRAWN BY: CHECKED BY:	SO SO	7-Jun-23 7-Jun-23	SIZE <b>A</b>
---	--------------------------	----------	----------------------	------------------



MPS INDUSTRIES, INC.

[www.mpsind.com](http://www.mpsind.com)

Tel: (310) 325-1043 Fax: (310) 325-1044

Description

**Helical Wound Inductor**

Part Number

**HWI4434-028A-121H**

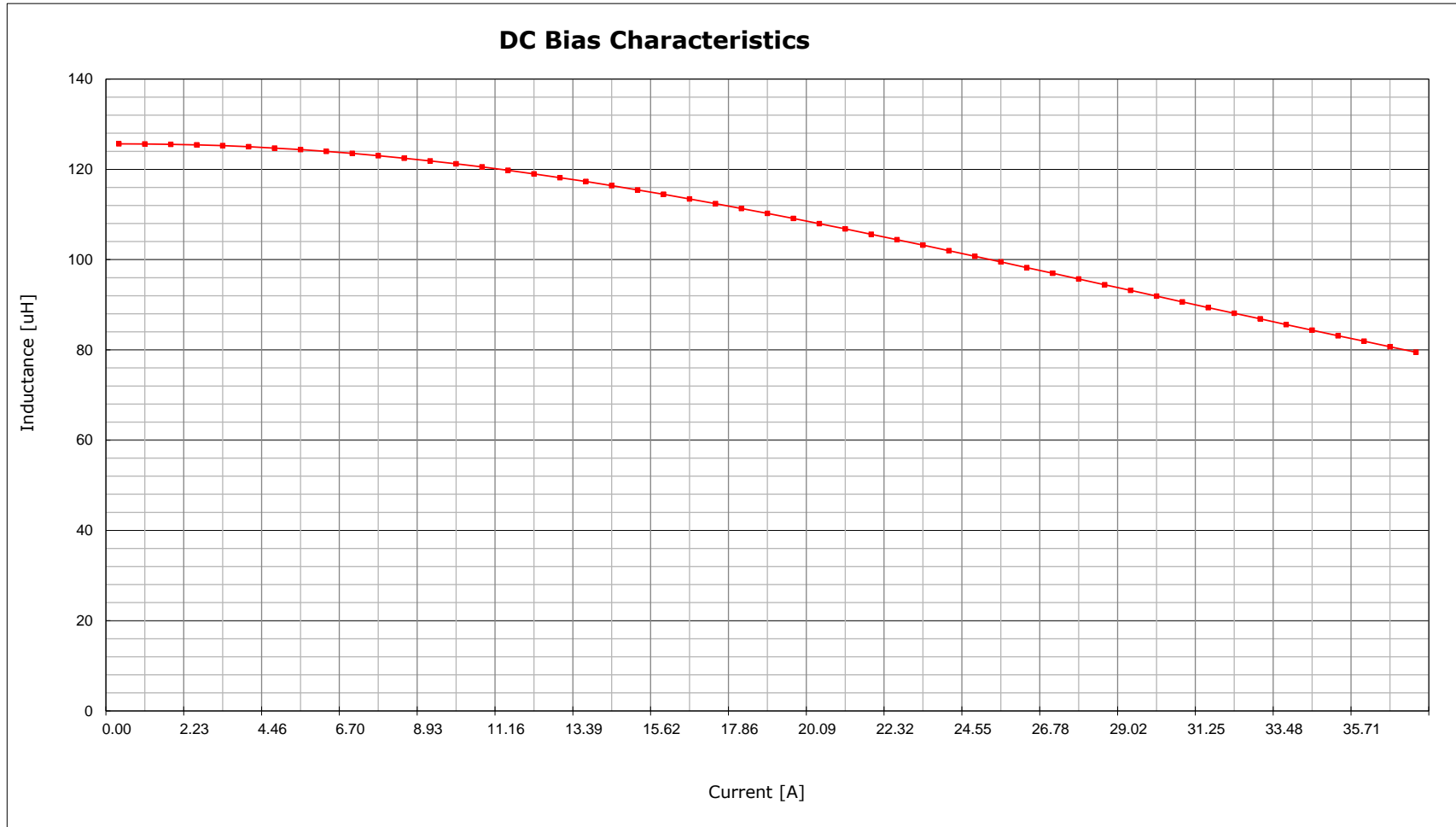
REV

**1**

WEIGHT: 250 gms

SHEET: 1 OF 2

Rev	Description	By	Date
1	Preliminary	SO	7-Jun-23



**Notice of Proprietary Property**

These drawings and specifications are the property of MPS and shall not be reproduced, copied or used as the basis of manufacture of sale of apparatus without express written authorization

**Dimensions**  
 Unless otherwise specified  
 .XX ± 0.254mm [.010"]  
 .XXX ± 0.13mm [.005"]


DRAWN BY:  
 CHECKED BY:

SO  
 SO

7-Jun-23  
 7-Jun-23

SIZE  
**A**

Part Number		REV
<b>HWI4434-028A-121H</b>		<b>1</b>
SCALE: X:X	WEIGHT: 250 gms	SHEET: 2 OF 2



**MPS INDUSTRIES, INC.**  
 www.mpsind.com  
 Tel: (310) 325-1043 Fax: (310) 325-1044

Description  
**Helical Wound Inductor**