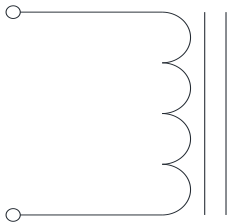


Rev	Description	By	Date
C	Added SRF, Capacitance and changed lead length	KA	9-Jul-19
D	Corrected pin dimensions and DC bias graph	AG	17-Sep-20

ELECTRICAL SPECIFICATIONS @ 25°C

L: 3.3μH±15% @ 10kHz, 1Vrms
 Isat: ΔL ≤ 10% @95A
 ΔL ≤ 30% @183A
 Irms: ΔT ≤ 20°C @ 80A
 ΔT ≤ 40°C @122A
 DCR: 0.4mΩ Max
 SRF: 22 MHz Typ
 Capacitance: 15 pF Typ
 Hipot: 500Vdc, 1mA, 5s, wdg to core
 Insulation Class: Class H 180°C
 RoHS Compliant: Yes

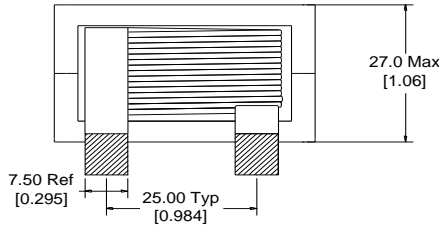
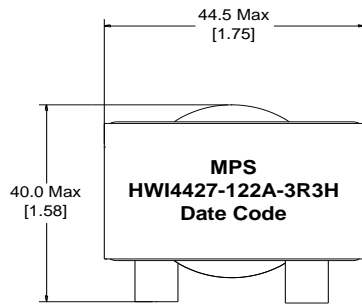
SCHEMATIC



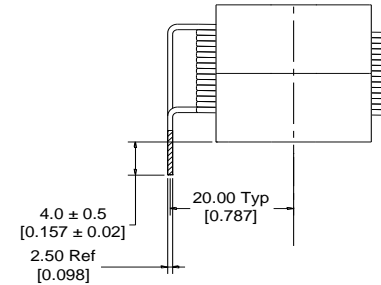
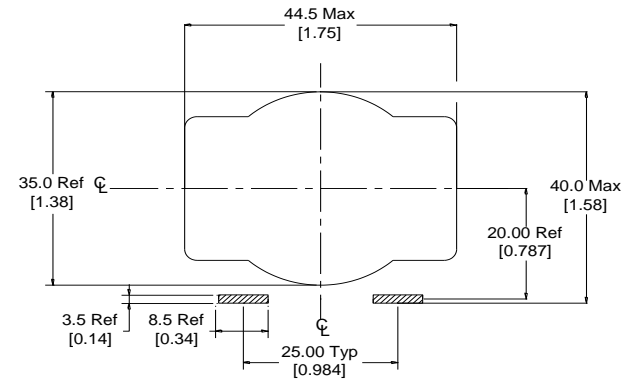
MARKING

MPS
 HWI4427-122A-3R3H_REV#
 Date Code

DIMENSIONS



Recommended PCB Layout



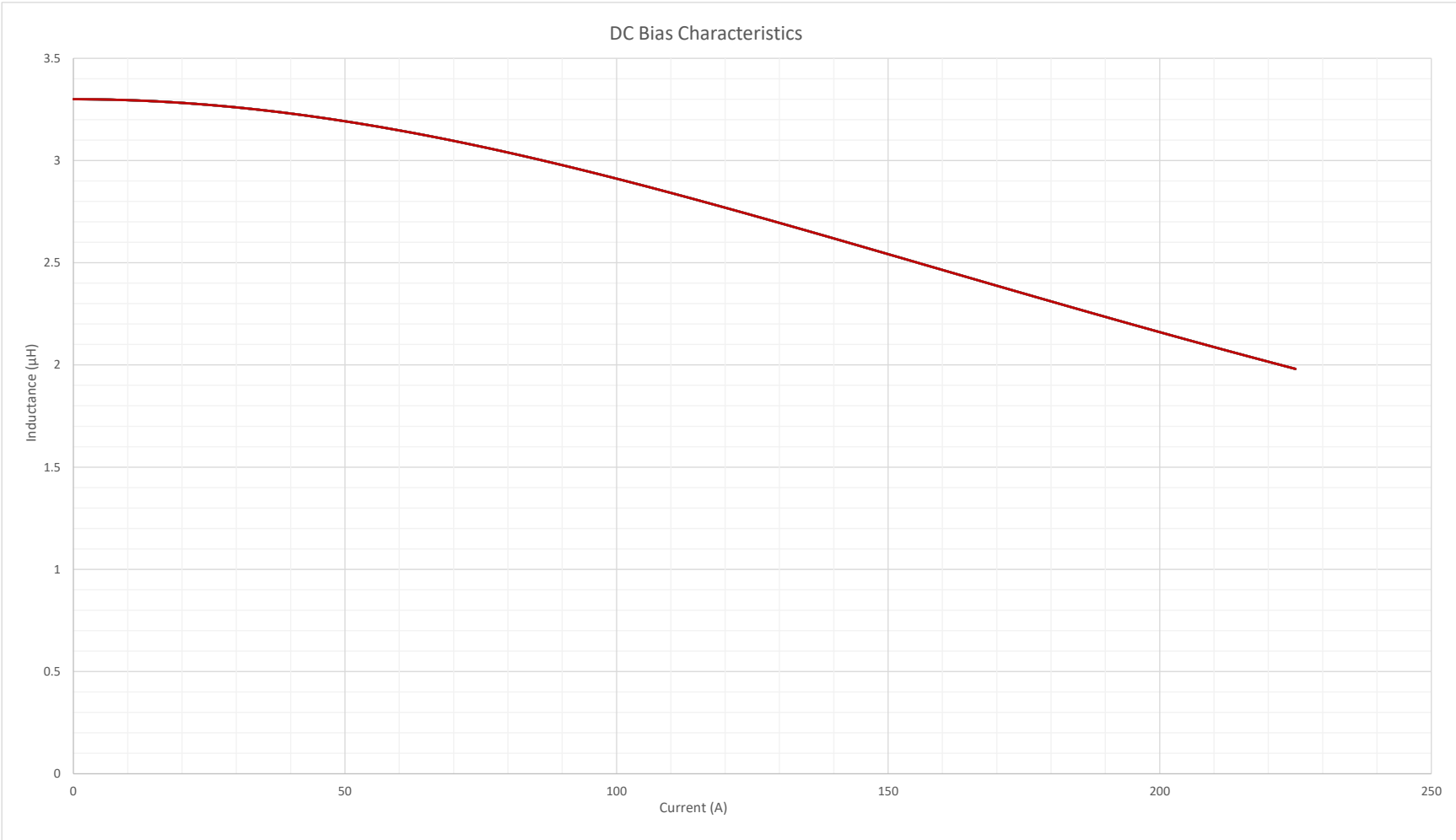
Dimensions: mm/[inch]

Notice of Proprietary Property
 These drawings and specifications are the property of MPS and shall not be, reproduced, copied or used as the basis of manufacture of sale of apparatus without express written authorization

	MPS INDUSTRIES, INC. www.mpsind.com Tel: (310) 325-1043 Fax: (310) 325-1044
	Description <p align="center">Helical Wound Inductor</p>

Dimensions Unless otherwise specified .XX ± 0.254mm [.010"] .XXX ± 0.13mm [.005"]	DRAWN BY: CHECKED BY:	MIG KC	17-Mar-16 18-Mar-16	SIZE A	Part Number <p align="center">HWI4427-122A-3R3H</p>	REV <p align="center">D</p>
WEIGHT: 190 gms					SHEET: 1 OF 2	

Rev	Description	By	Date
C	Added SRF, Capacitance and changed lead length	KA	9-Jul-19
D	Corrected pin dimensions and DC bias graph	AG	17-Sep-20



Notice of Proprietary Property
 These drawings and specifications are the property of MPS and shall not be, reproduced, copied or used as the basis of manufacture or sale of apparatus without express written authorization



MPS INDUSTRIES, INC.
 www.mpsind.com
 Tel: (310) 325-1043 Fax: (310) 325-1044

Description		Helical Wound Inductor	
Part Number	HWI4427-122A-3R3H		REV
			D
SCALE: X:X	WEIGHT: 190 gms	SHEET: 2 OF 2	

Dimensions Unless otherwise specified .XX ± 0.254mm [.010"] .XXX ± 0,13mm [.005"]	DRAWN BY: CHECKED BY:	MIG KC	17-Mar-16 18-Mar-16	SIZE A
---	--------------------------	-----------	------------------------	------------------