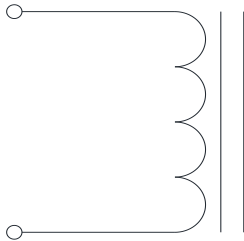


Rev	Description	By	Date
B	Released for Production	MIG	17-Mar-16
C	Corrected pin dimensions and DC bias graph	AG	17-Sep-20

ELECTRICAL SPECIFICATIONS @ 25°C

L:	2.2μH±15% @ 10kHz, 1Vrms
Isat:	ΔL ≤ 10% @174A ΔL ≤ 30% @308A
Irms:	ΔT ≤ 20°C @ 80A ΔT ≤ 40°C @122A
DCR:	0.4mΩ Max
Hipot:	500Vdc, 1mA, 5s, wdg to core
Insulation Class:	Class H 180°C
RoHS Compliant:	Yes

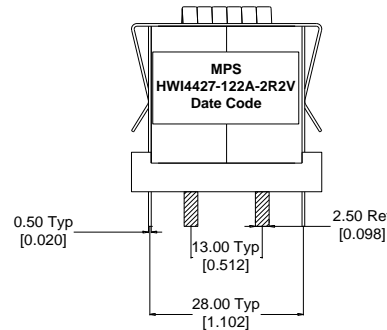
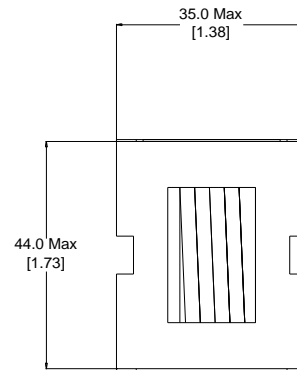
SCHEMATIC



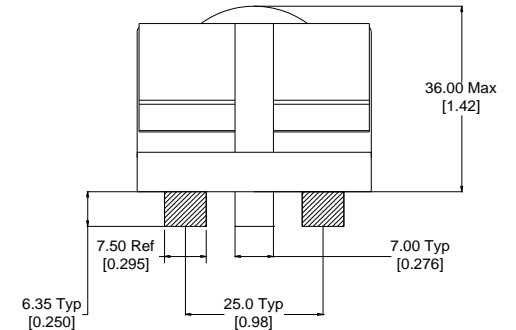
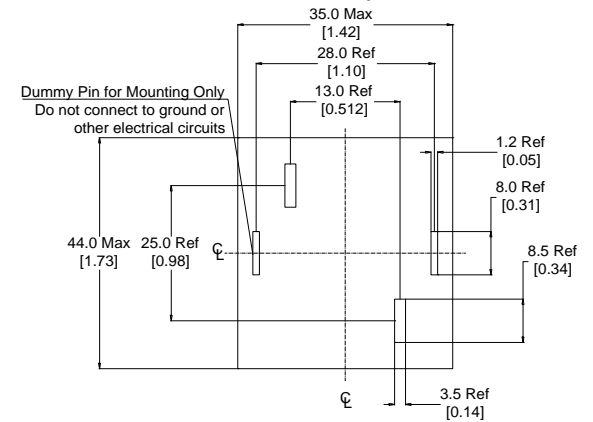
MARKING

MPS
HWI4427-122A-2R2V_REV#
Date Code

DIMENSIONS



Recommended PCB Layout



Dimensions: mm/[inch]

Notice of Proprietary Property

These drawings and specifications are the property of MPS and shall not be, reproduced, copied or used as the basis of manufacture of sale of apparatus without express written authorization

Dimensions Unless otherwise specified .XX ± 0.254mm [.010"] .XXX ± 0.13mm [.005"]	DRAWN BY:	MIG	17-Mar-16	SIZE	Part Number	REV
	CHECKED BY:	KC	18-Mar-16			
WEIGHT: 200 gms					SHEET: 1 OF 2	



MPS INDUSTRIES, INC.

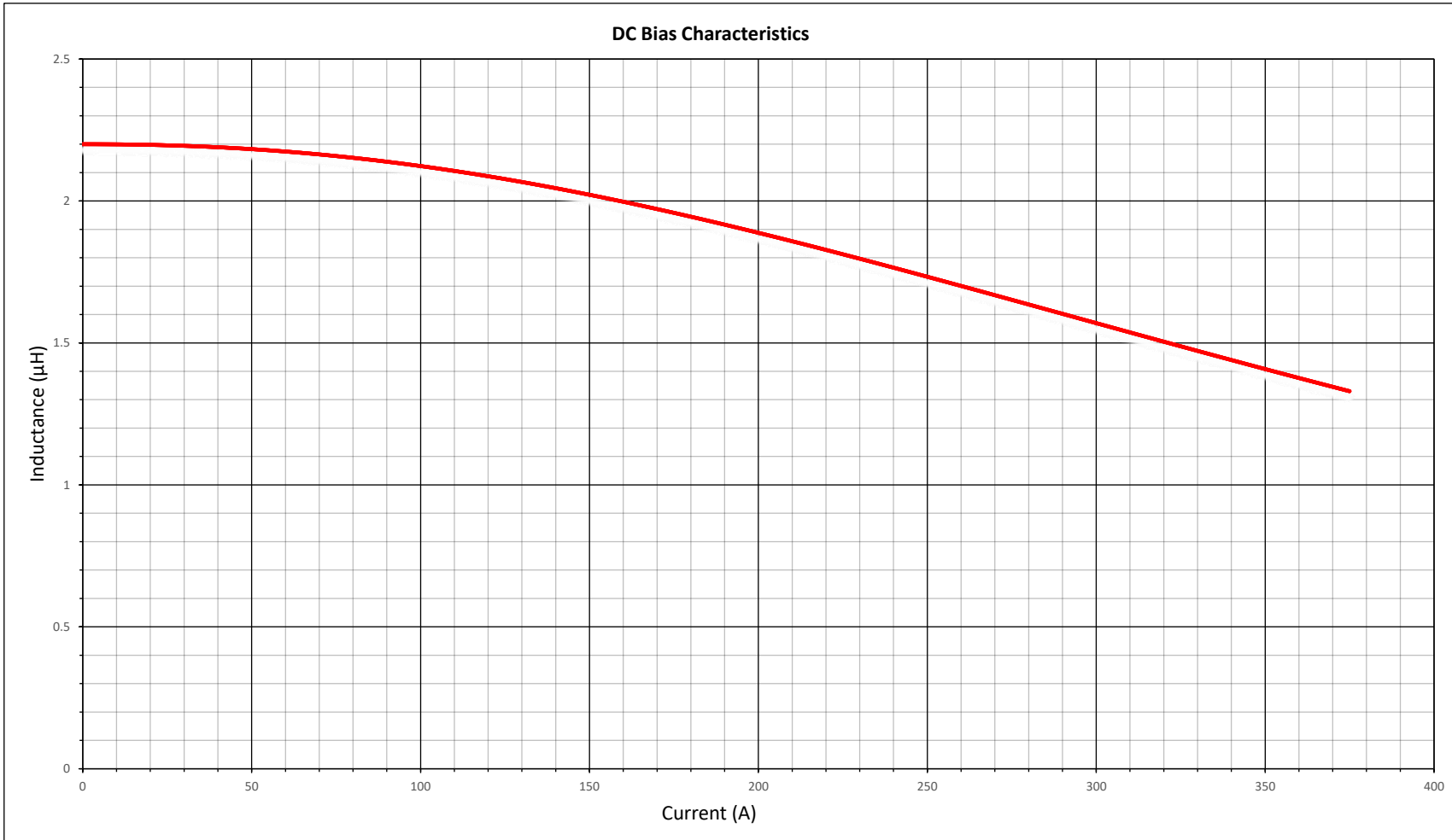
www.mpsind.com

Tel: (310) 325-1043 Fax: (310) 325-1044

Description

Helical Wound Inductor

Rev	Description	By	Date
B	Released for Production	MIG	17-Mar-16
C	Corrected pin dimensions and DC bias graph	AG	17-Sep-20



Notice of Proprietary Property

These drawings and specifications are the property of MPS and shall not be reproduced, copied or used as the basis of manufacture of sale of apparatus without express written authorization



MPS INDUSTRIES, INC.

www.mpsind.com

Tel: (310) 325-1043 Fax: (310) 325-1044

Description

Helical Wound Inductor

Dimensions
Unless otherwise specified
.XX ± 0.254mm [.010"]
.XXX ± 0.13mm [.005"]

DRAWN BY:
CHECKED BY:

MIG
KC

17-Mar-16
18-Mar-16

SIZE
A

Part Number

HWI4427-122A-2R2V

REV

C

SCALE: X:X

WEIGHT: 200 gms

SHEET: 2 OF 2